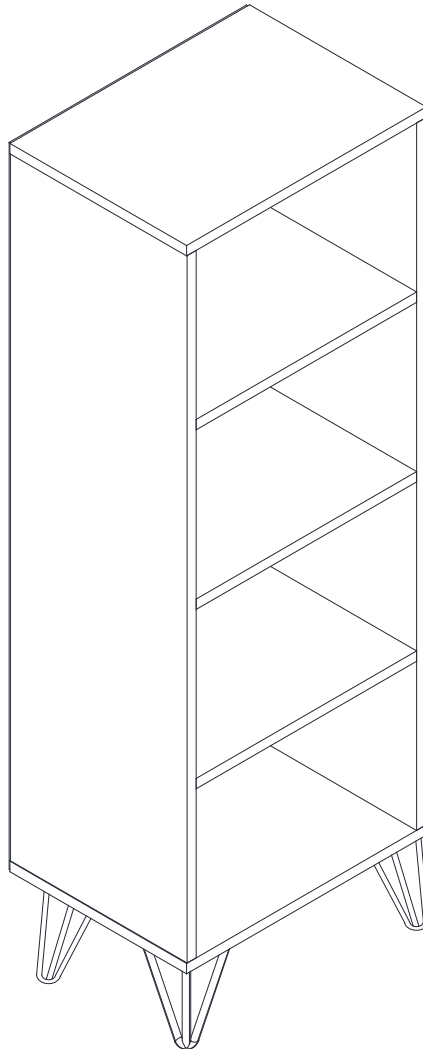
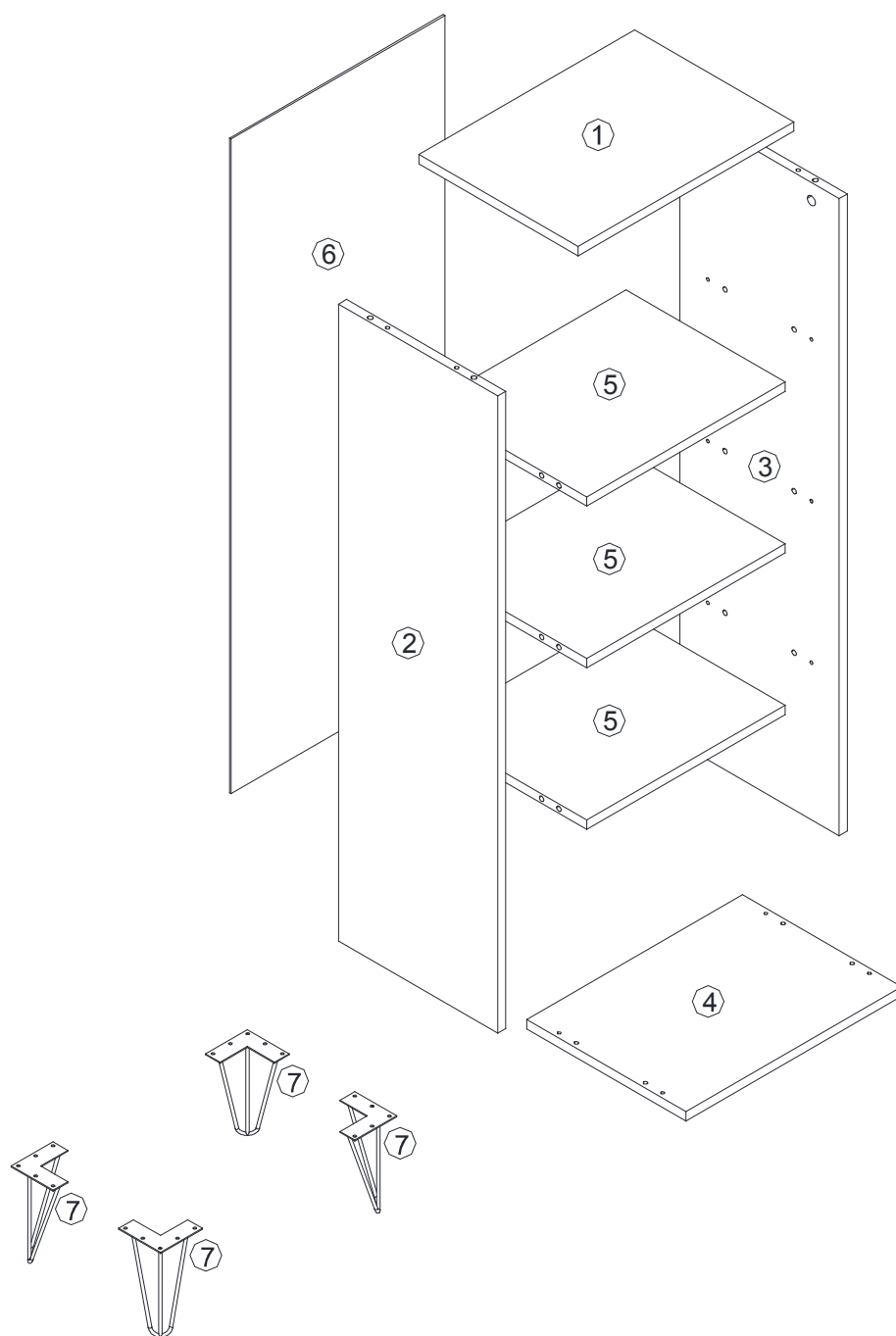


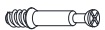









DESIGN

Instrucciones de armado

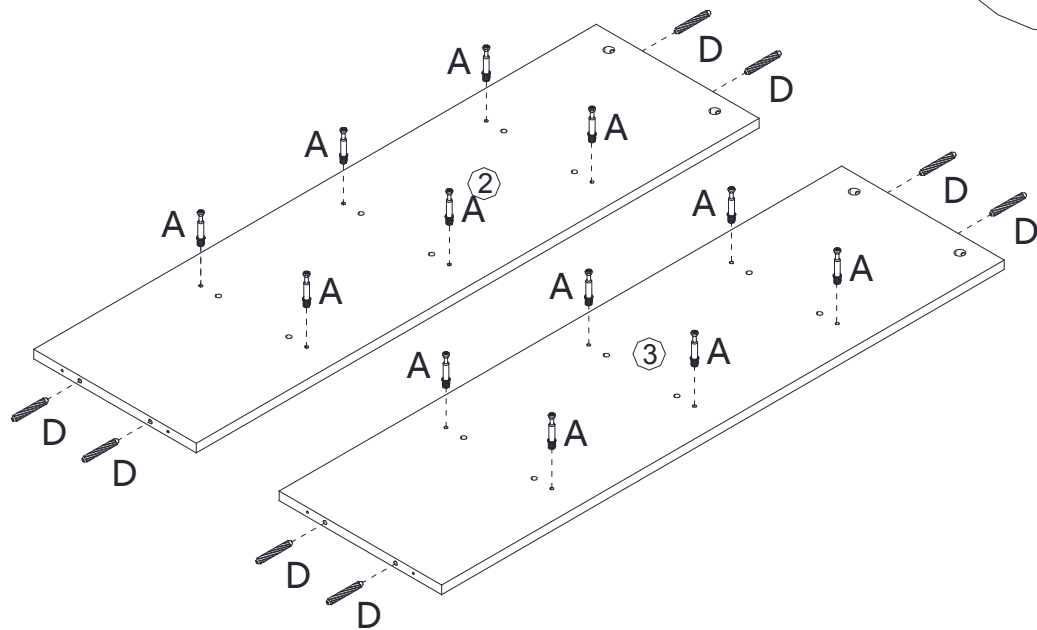
Modelo: HTN-6462-2



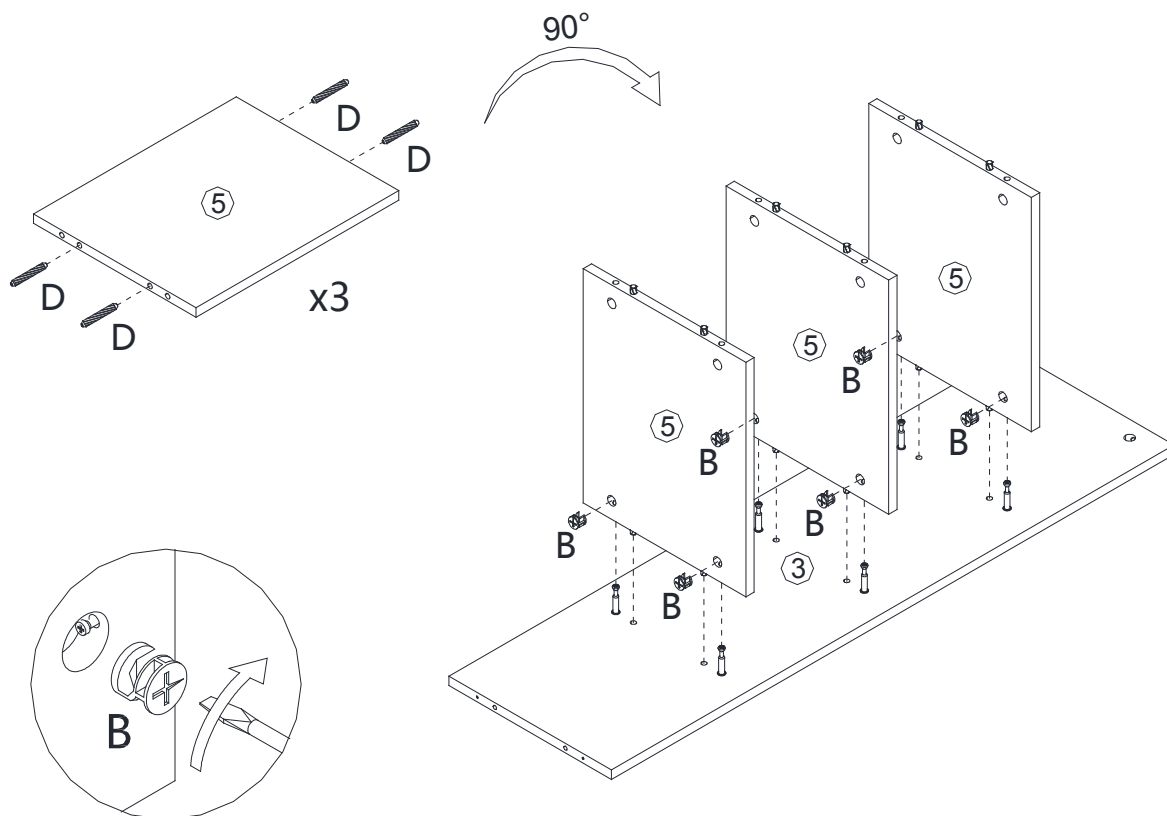


A x16 	B x16  ø 15x9mm	C x5  4x40mm	D x20  6x30mm	E x12  6x12mm	F x15 	G x9  4x12mm	
H x1 	I x2 	J x1 					

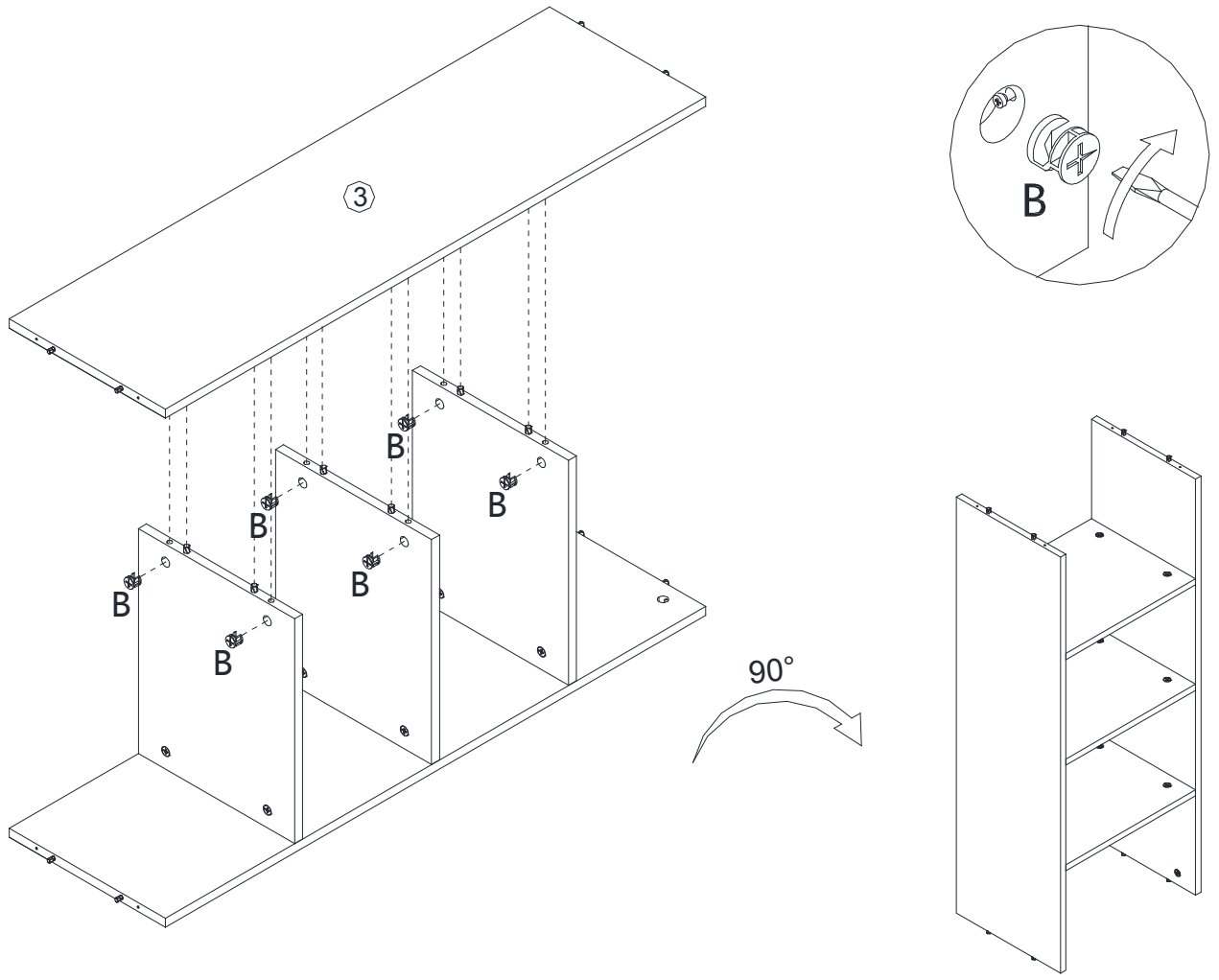
1



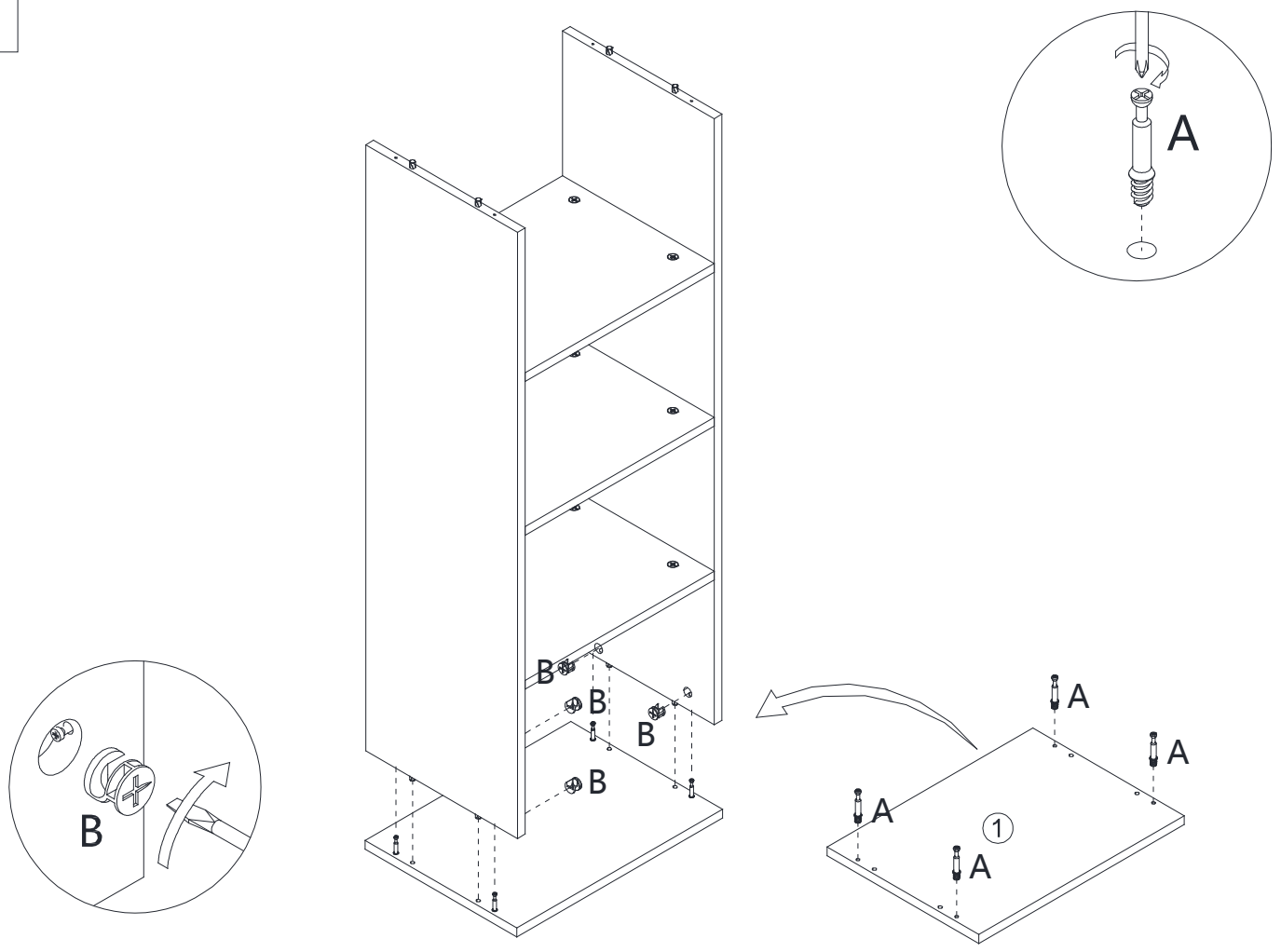
2



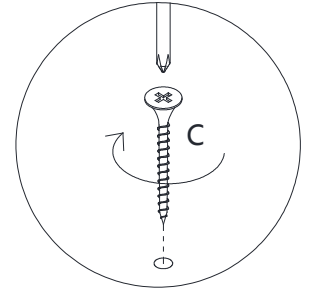
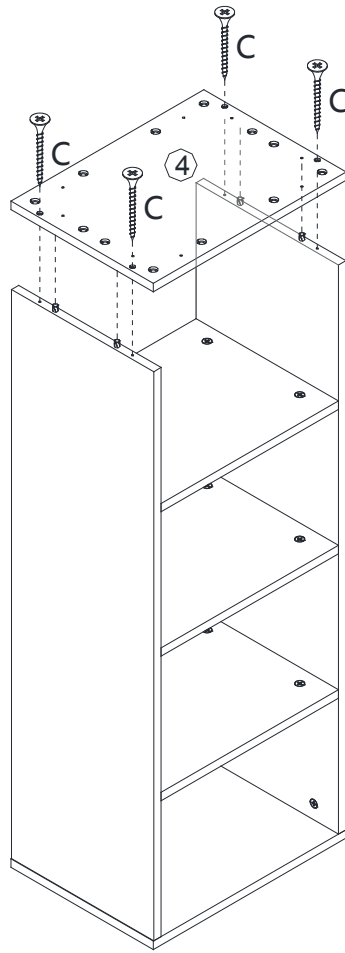
3



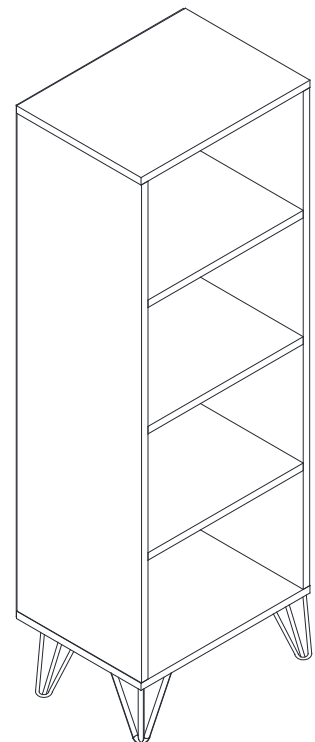
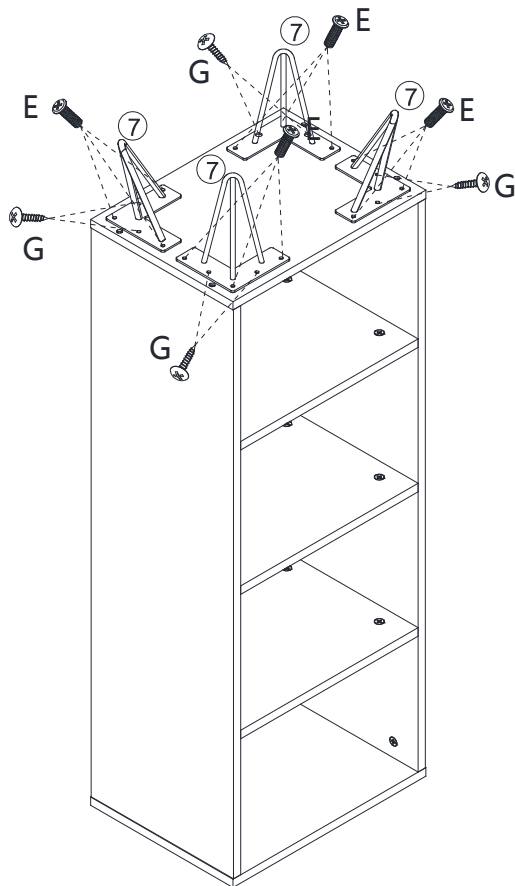
4



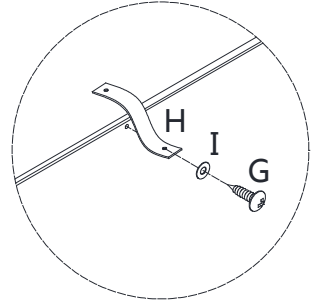
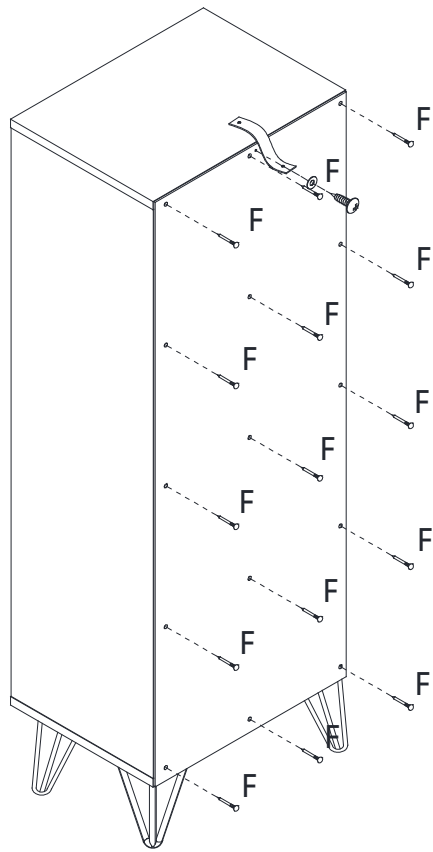
5



6



7



8

