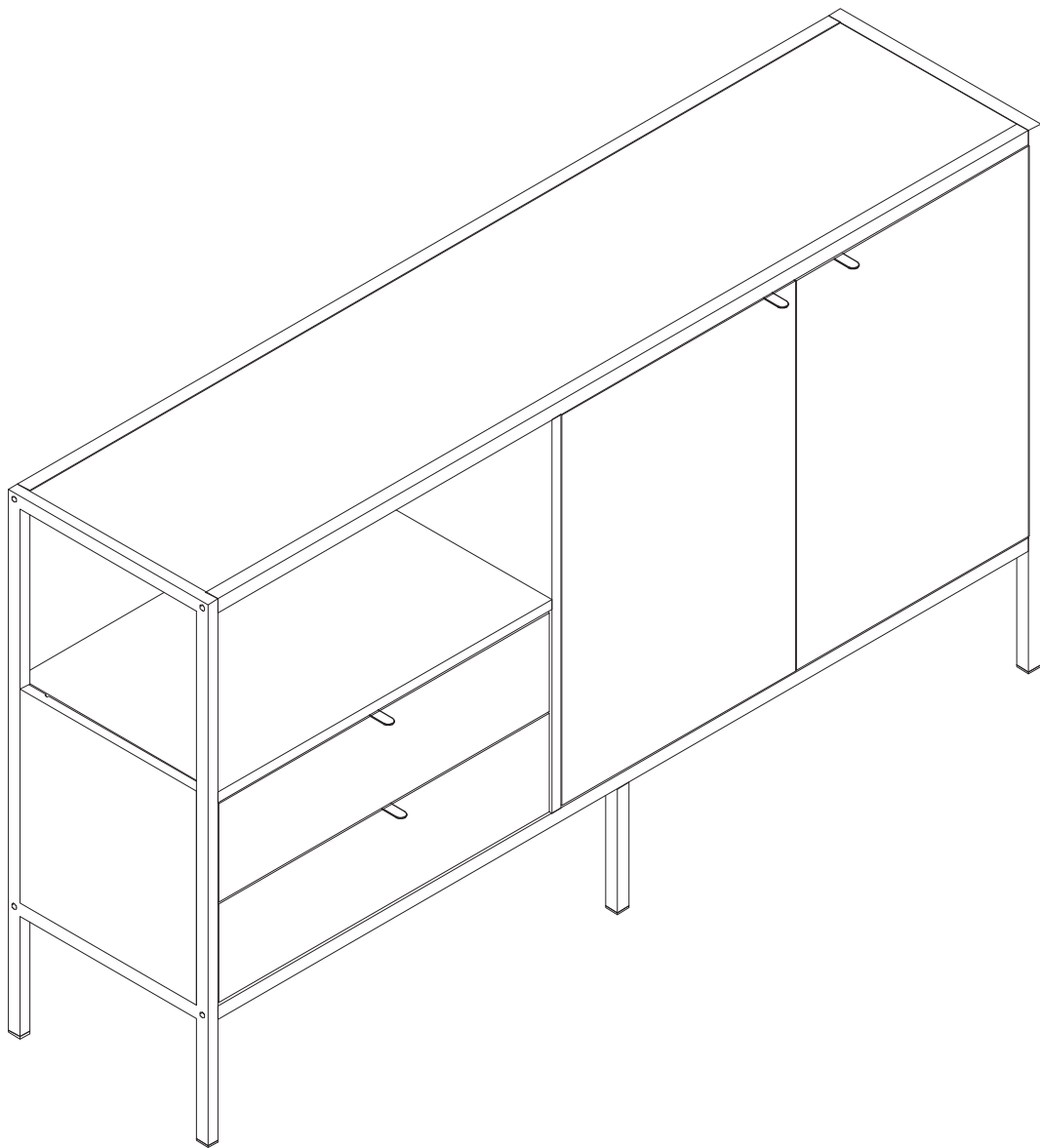


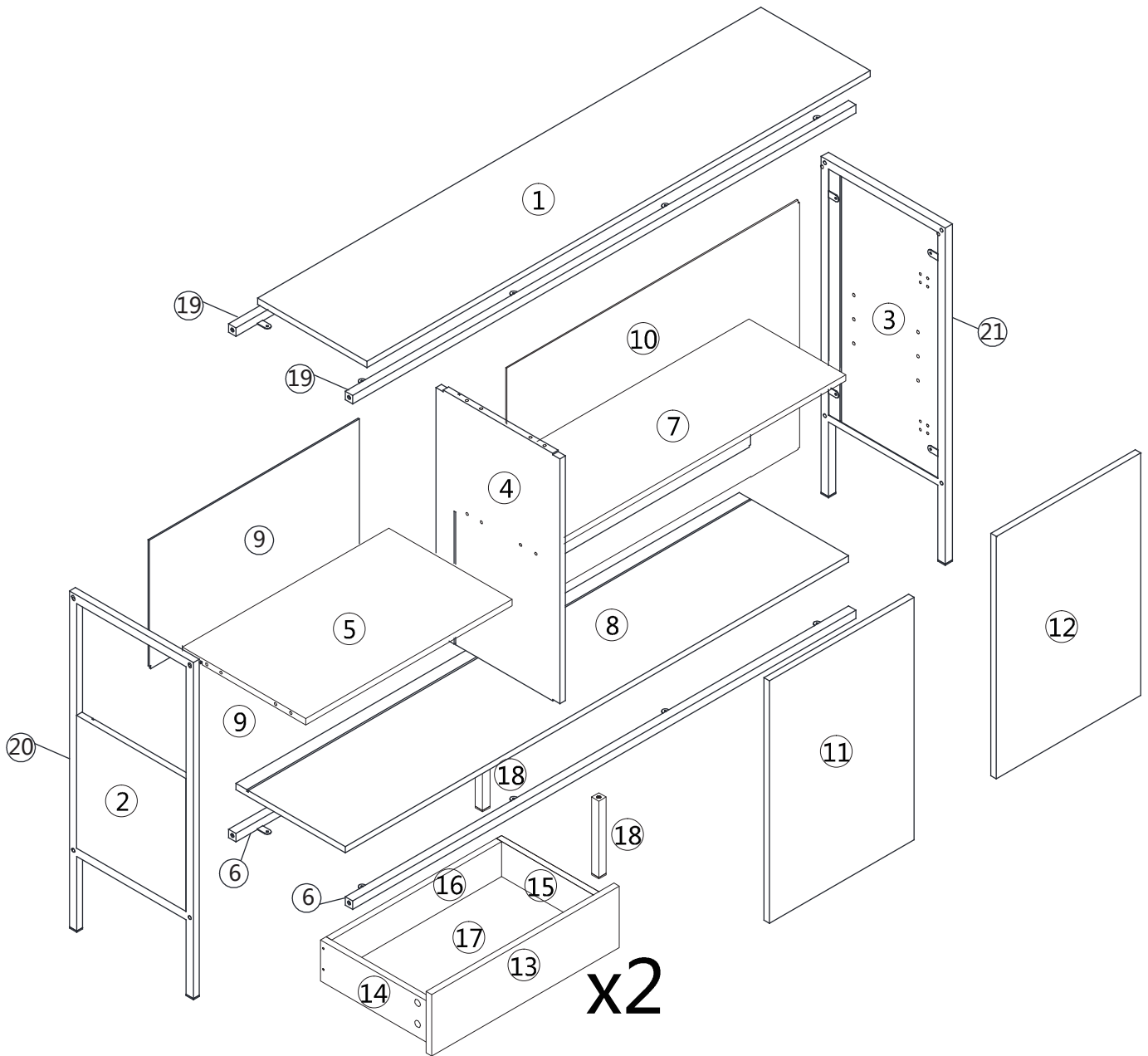




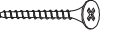







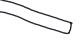








**DESIGN**

# Instrucciones de armado

Modelo: HT-SH001

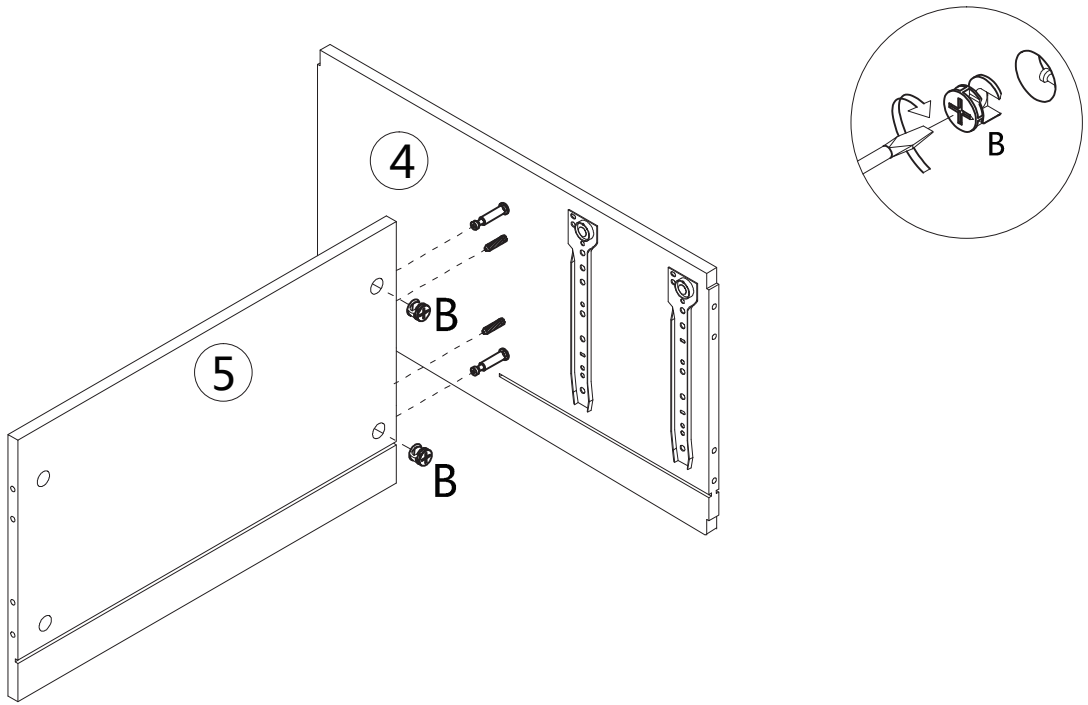




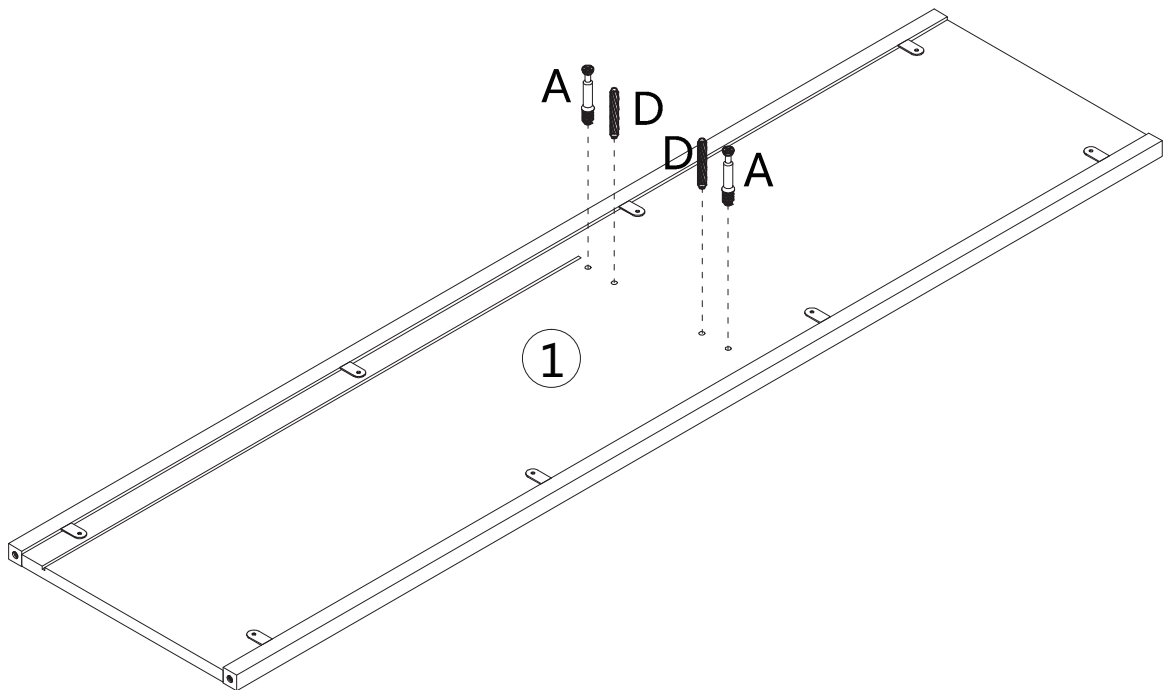
A x14	B x14	C x10	D x8	E x24	F x10	G x1	R x12	S x12	O x2	P x2	Q x2
											
Ø15x10mm	4x30mm	6x30mm	3x12mm	6x30mm			3x14mm				
H x4	I x4	J x24	K x2	L x2	M x4	N x32					
											
		4x14mm				3.5x14mm					



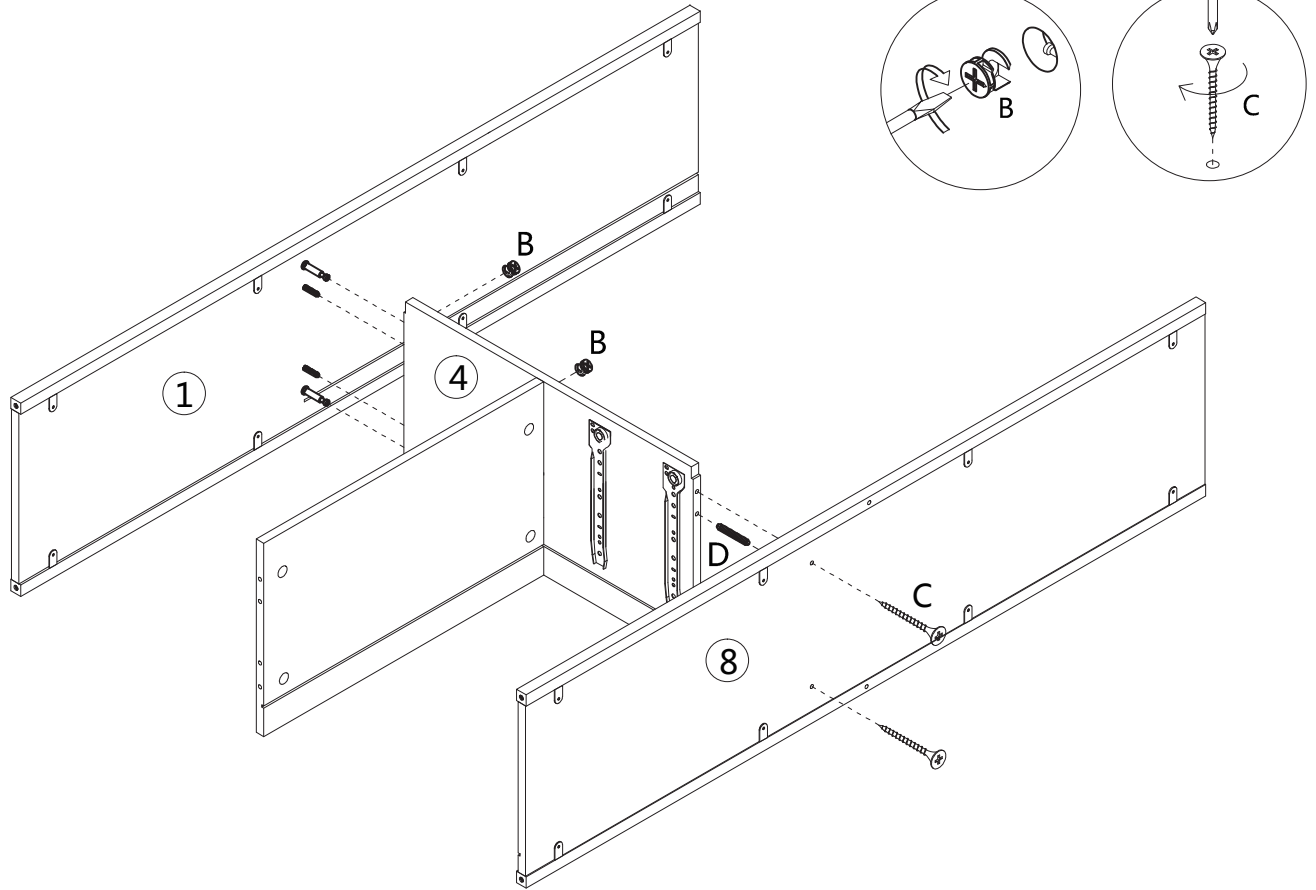
3



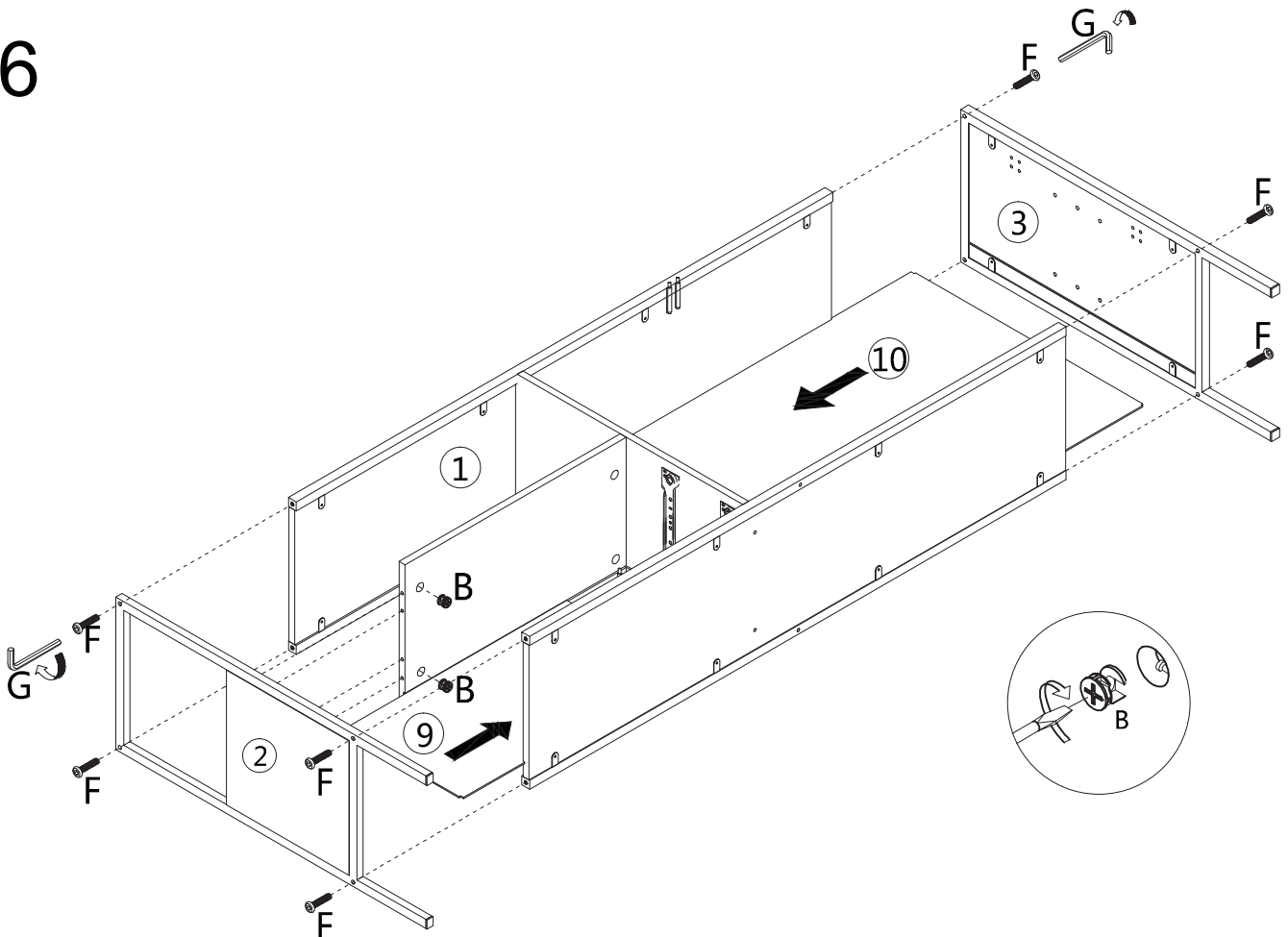
4



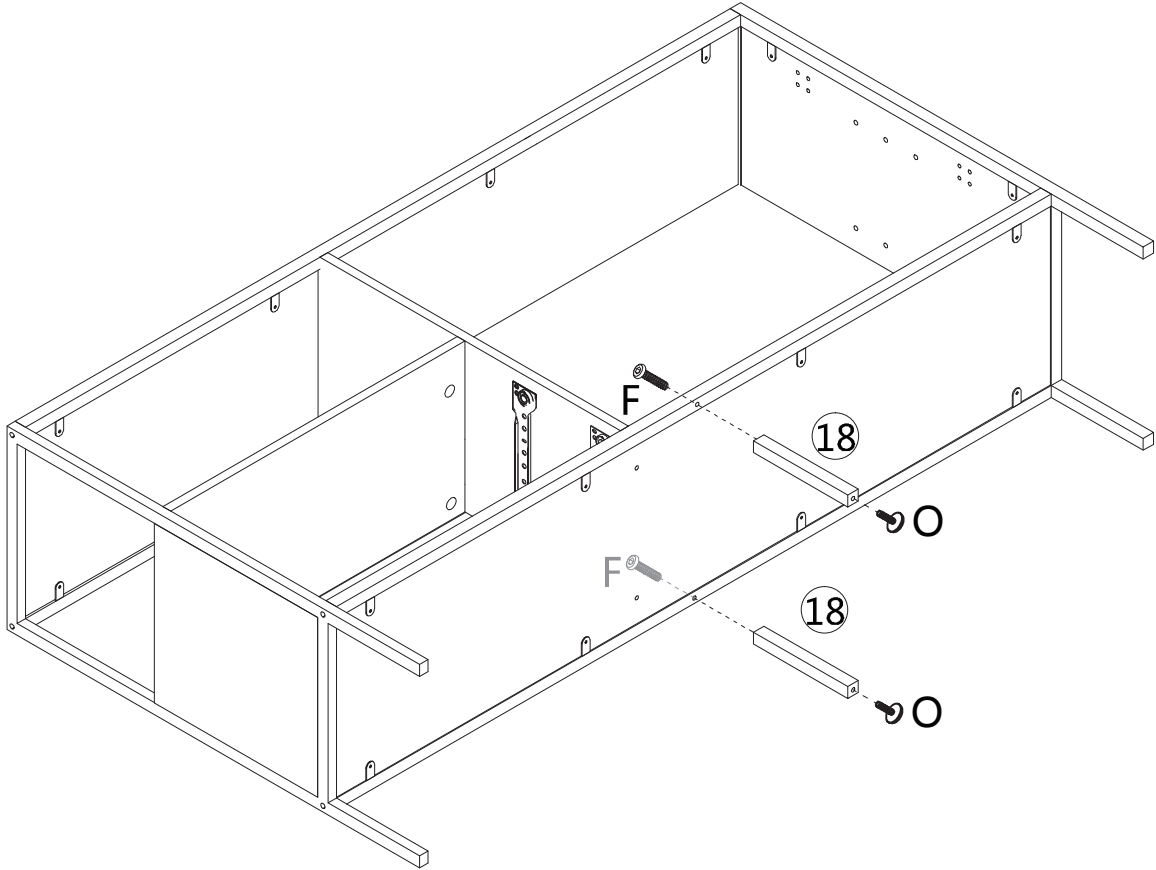
5



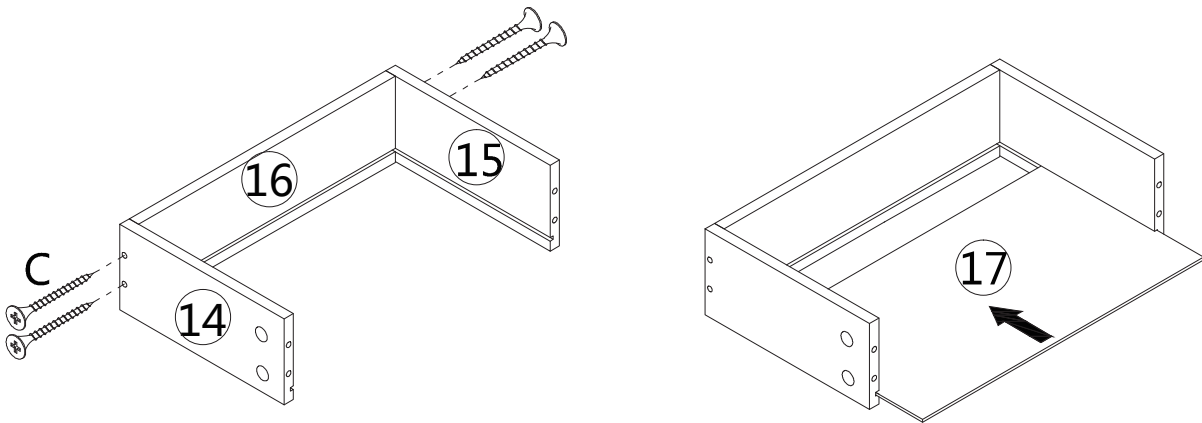
6



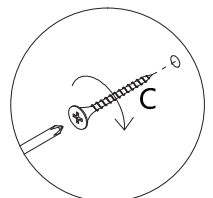
7



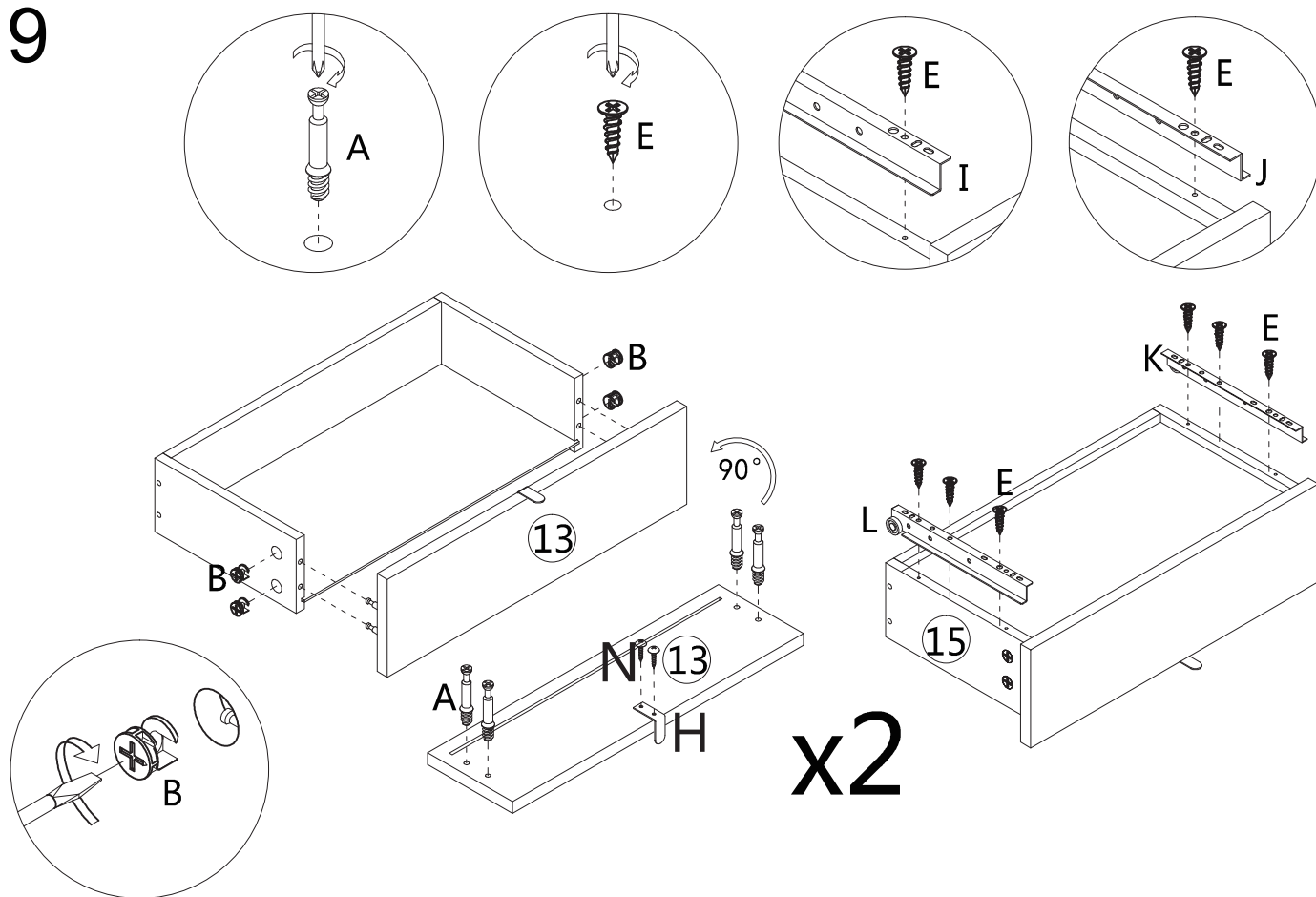
8



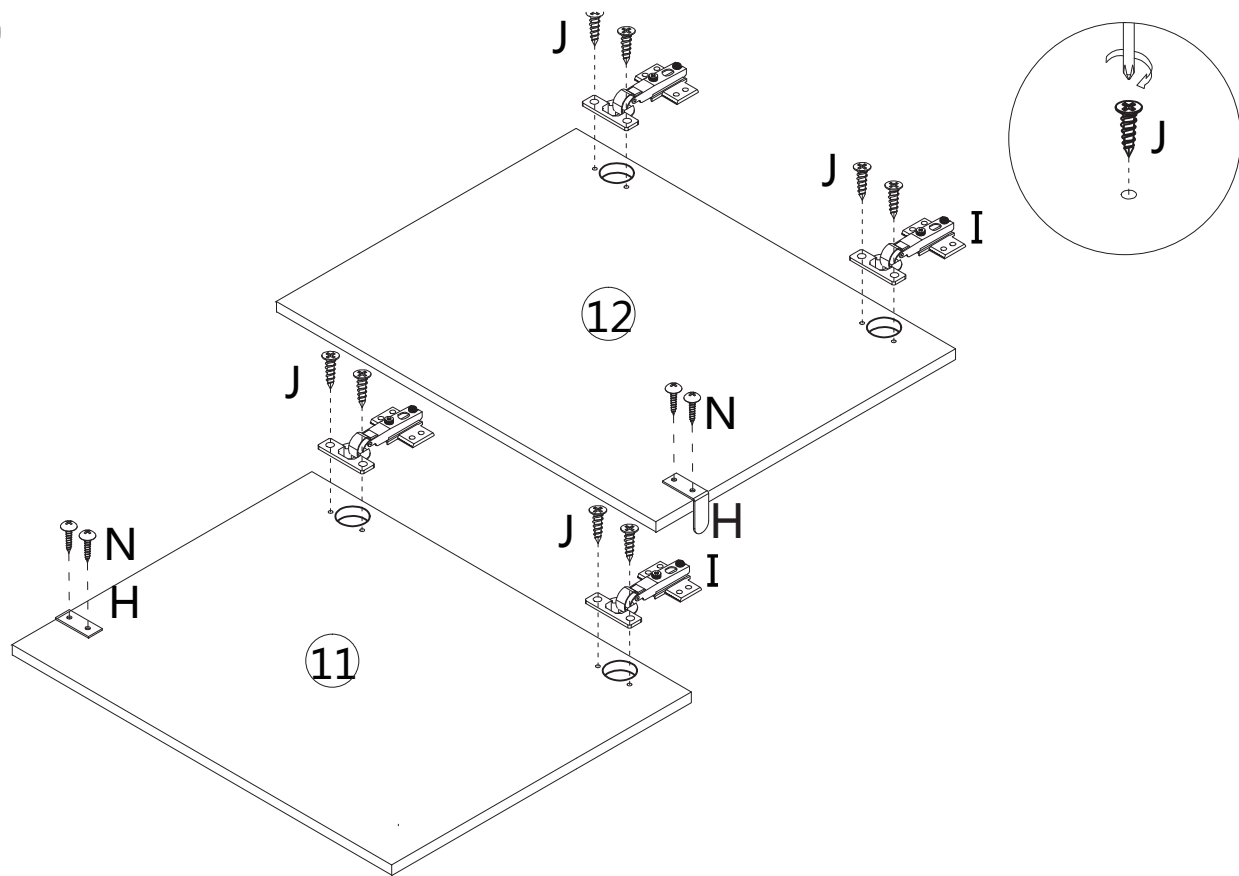
x2



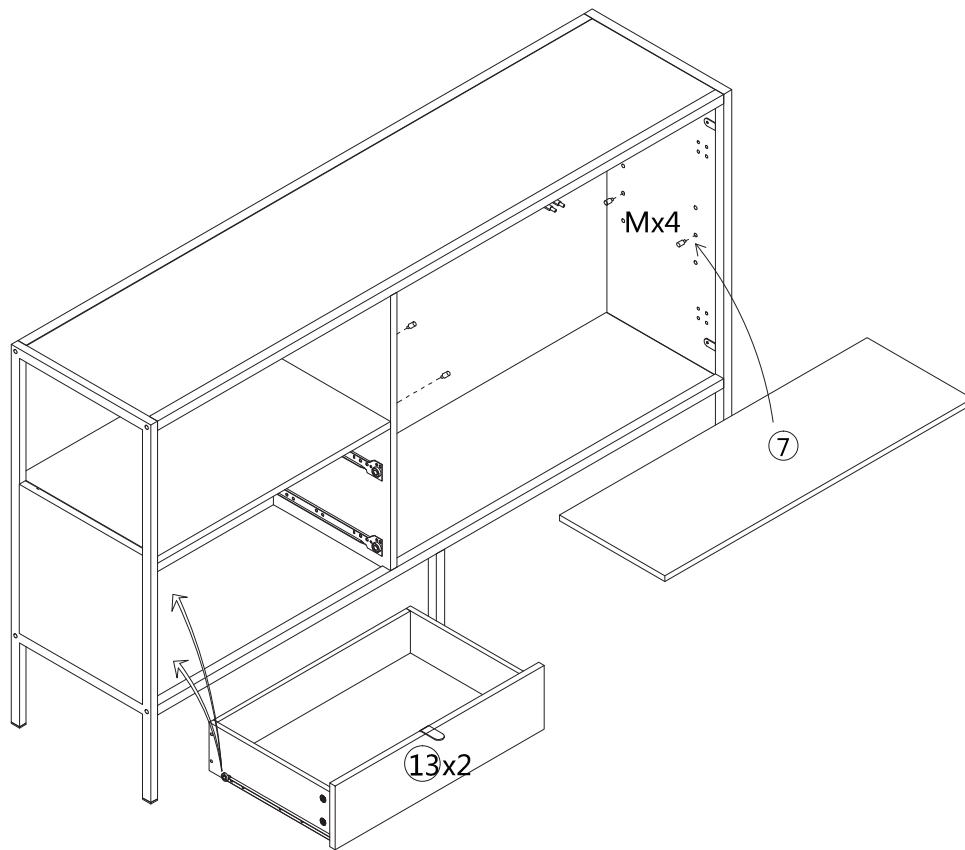
9



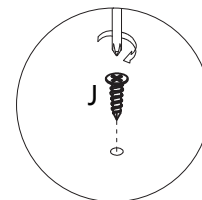
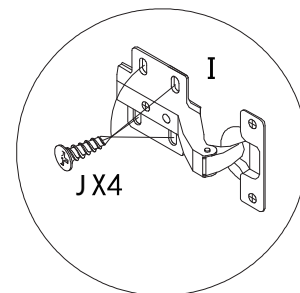
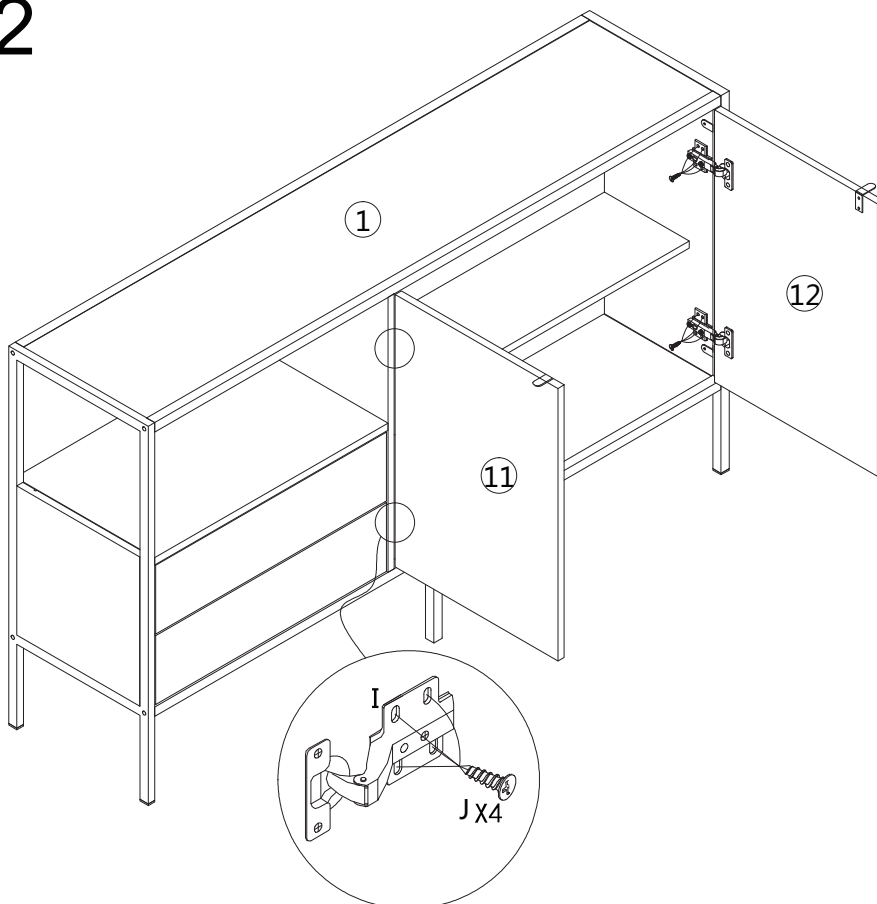
10



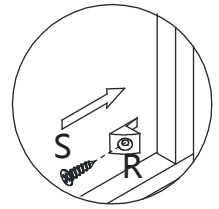
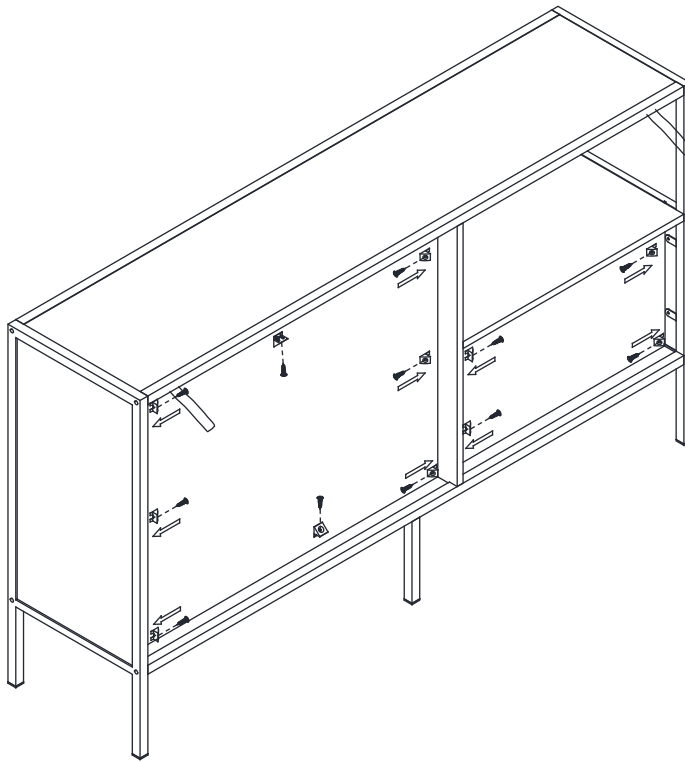
# 11



# 12



13



14

