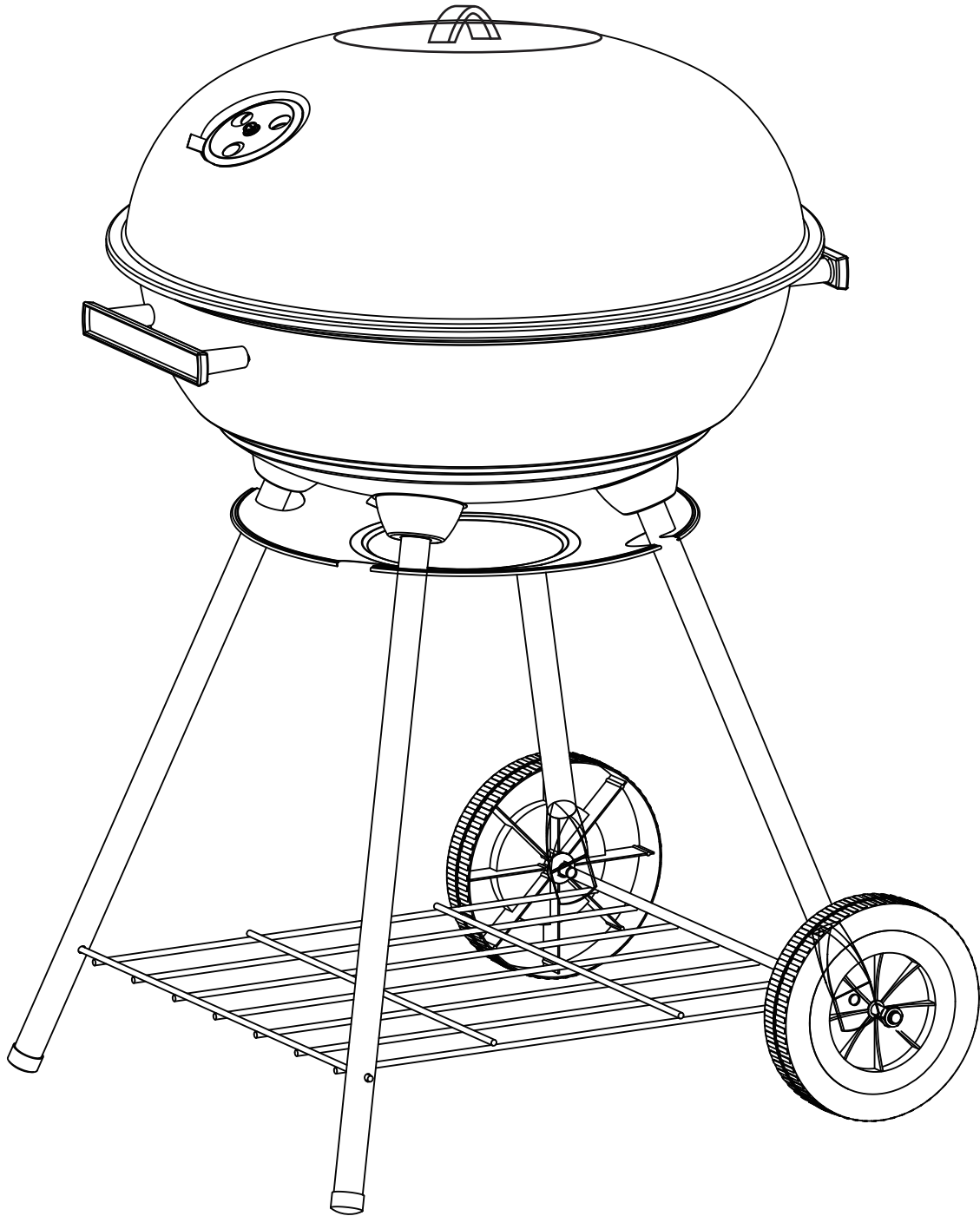

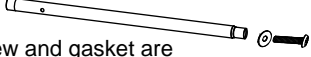
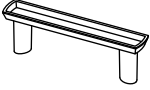

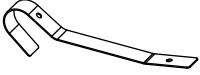



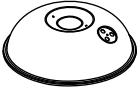












Item No.:22017A

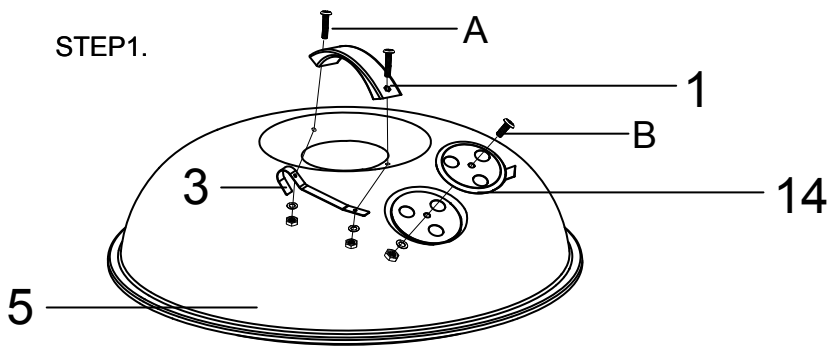




## PARTS LIST

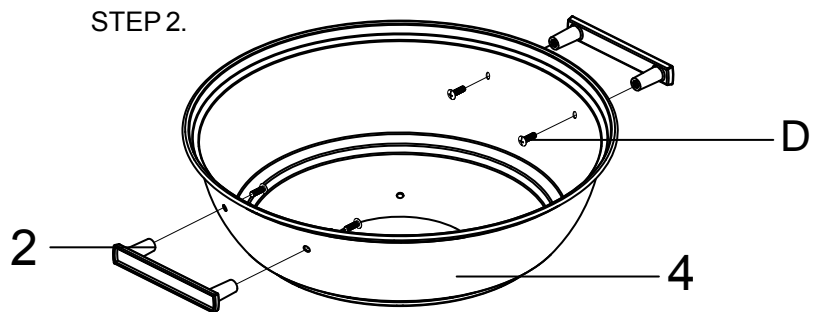
| No. | Image  | QTY. | No. | Image  | QTY. |
|-----|--|------|-----|--|------|
| 1   |   | 1    | 9   | <br>The screw and gasket are pre-installed on the leg | 2    |
| 2   |   | 2    | 10  |   | 4    |
| 3   |   | 1    | 11  |   | 1    |
| 4   |   | 1    | 12  |   | 2    |
| 5   |   | 1    | 13  |   | 1    |
| 6   |   | 1    | 14  |   | 1    |
| 7   |    | 1    | 15  |    | 1    |
| 8   | <br>The screw and gasket are pre-installed on the leg | 2    |     |  |      |


## HARDWARE

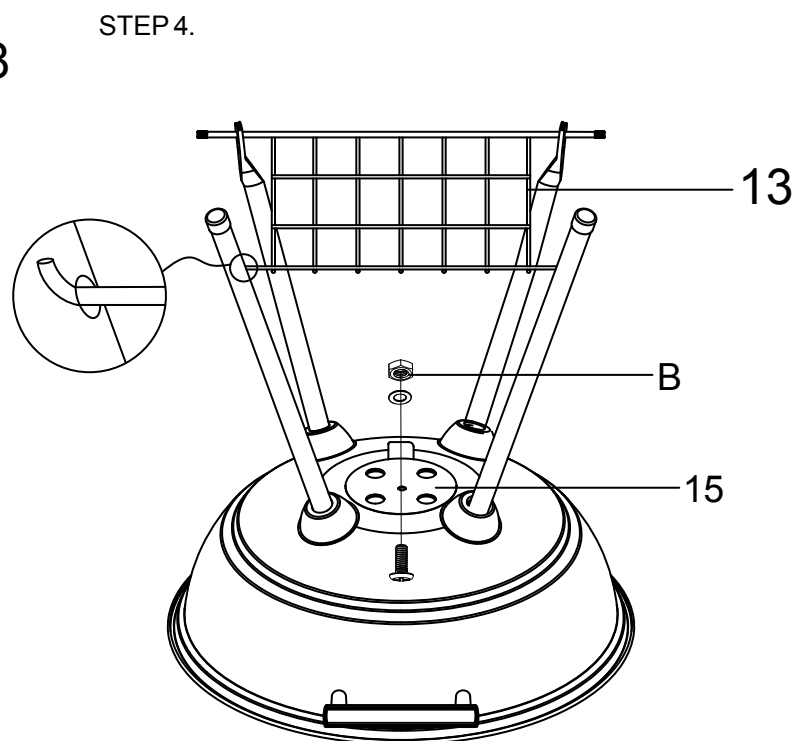
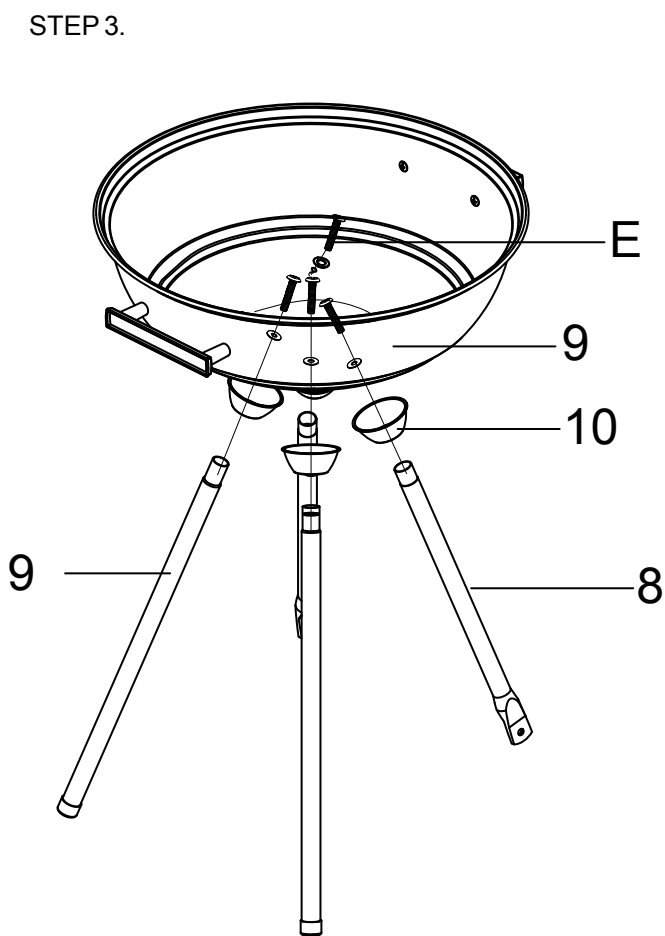
| No. | Image   | Part Description             | Qty. |
|-----|---|------------------------------|------|
| A   |  | M4 x 18 Screw / washer / nut | 2    |
| B   |  | M5 x 10 Screw / washer / nut | 2    |
| C   |  | M8 Nut / washer              | 2    |
| D   |  | M6 x 16 Screw / washer       | 4    |



- A  (M4x18) 2PCS  
 B  (M5x10) 1PCS

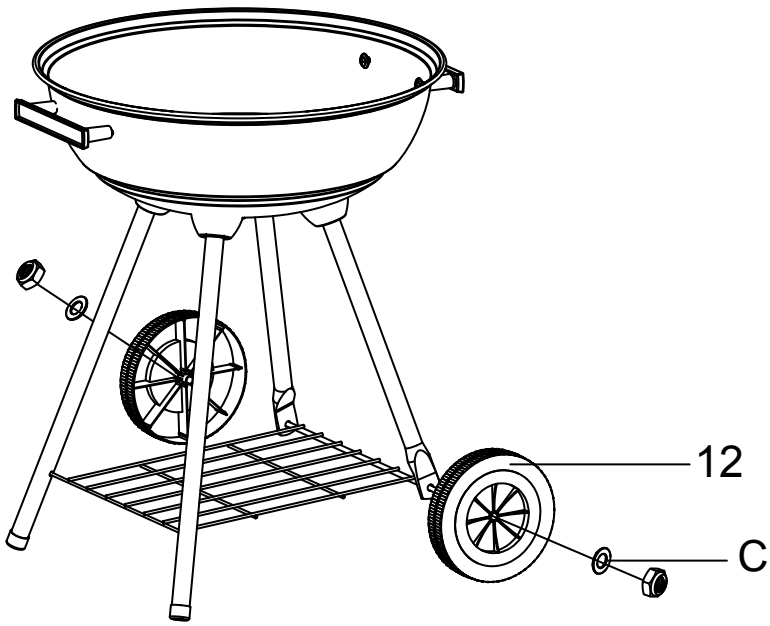




- D  (M6x16) 4PCS



- B  (M5x10) 1PCS

STEP 5.



C   (M8) 2PCS

STEP 6.

