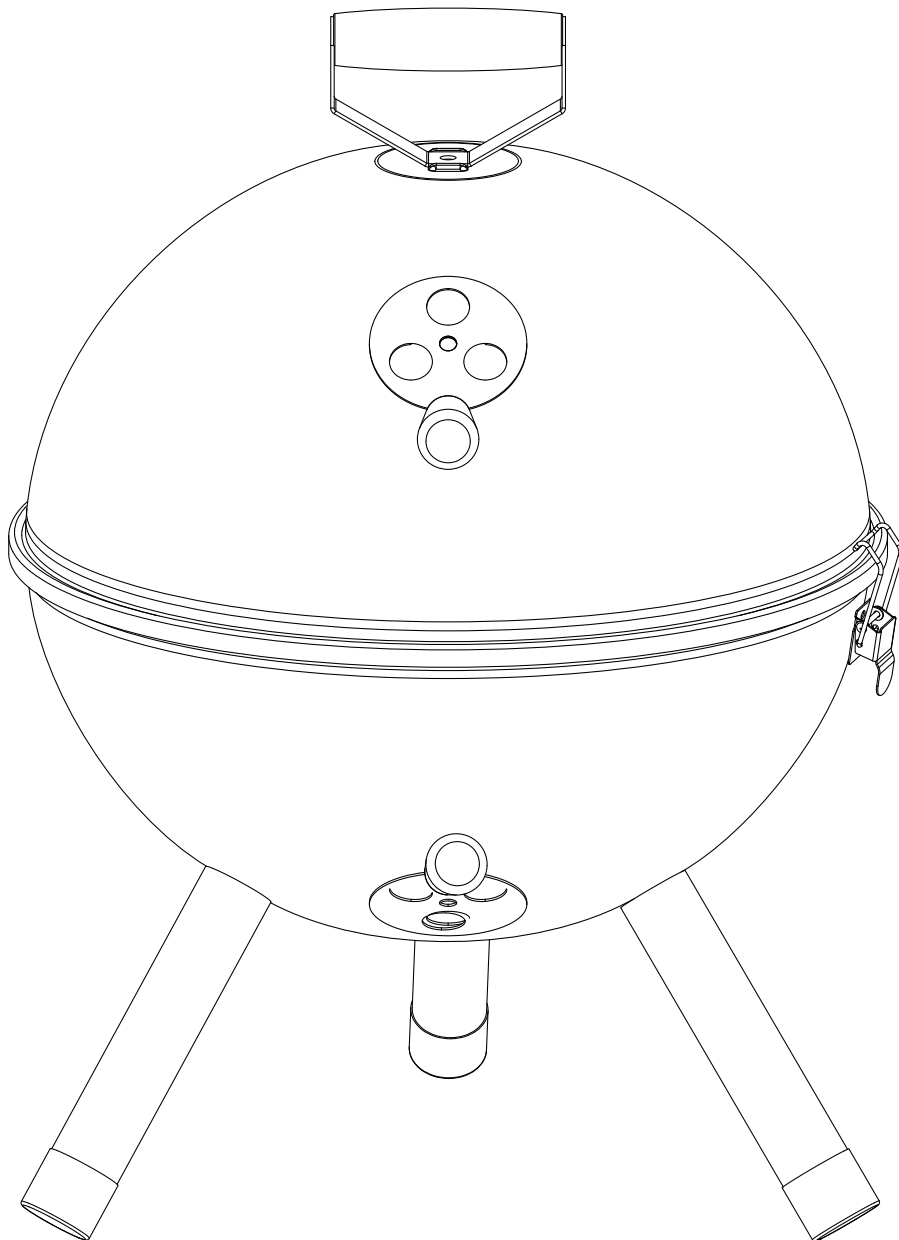
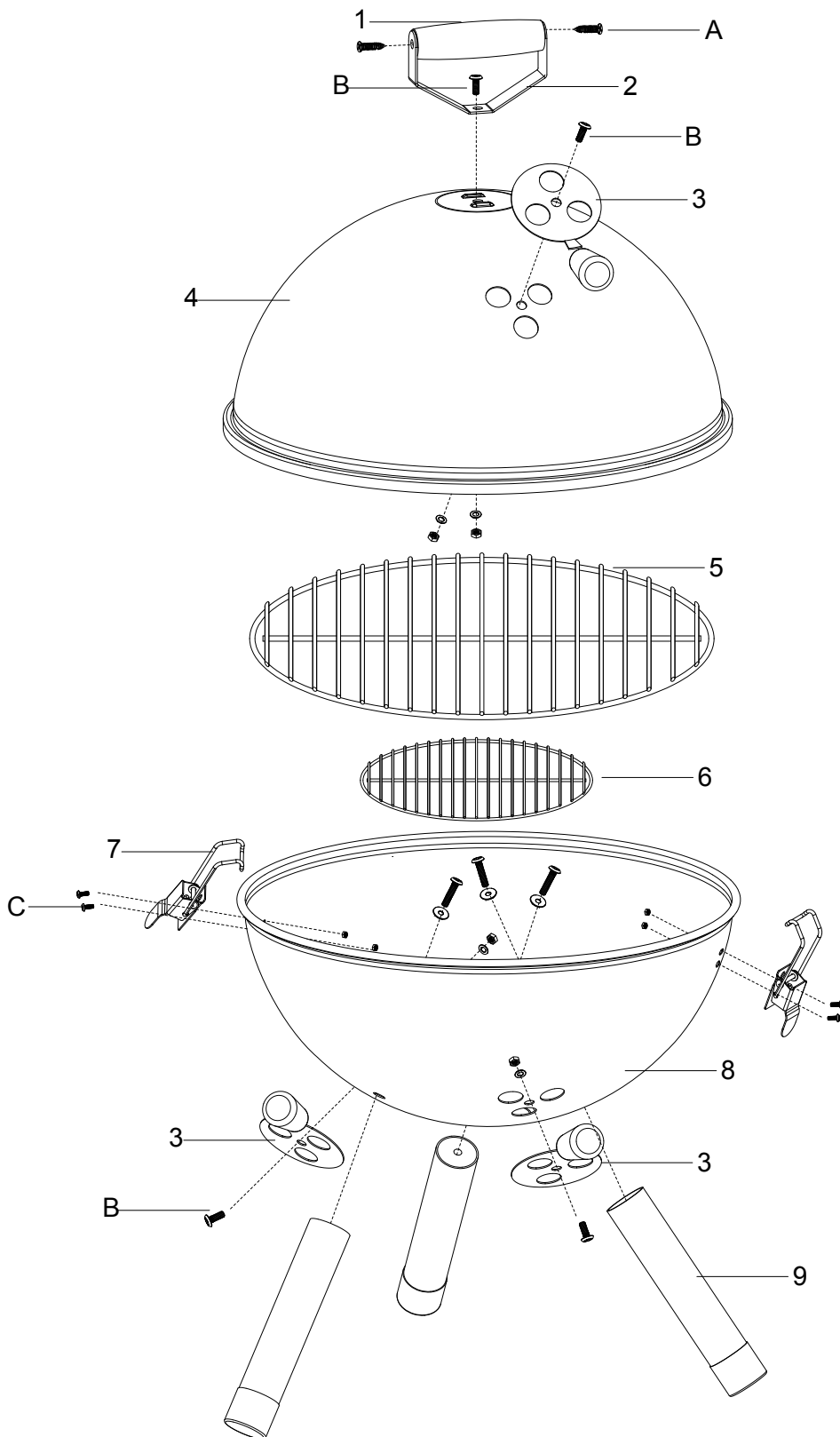


PORTABLE PICNIC CHARCOAL GRILL





1		X1
2		X1
3		X3
4		X1
5		X1
6		X1
7		X2
8		X1
9		X3
The screw and gasket are pre-installed on the legs		

A		(M4X12)	X2
B		(M5X12)	X4
C		(M3X8)	X4