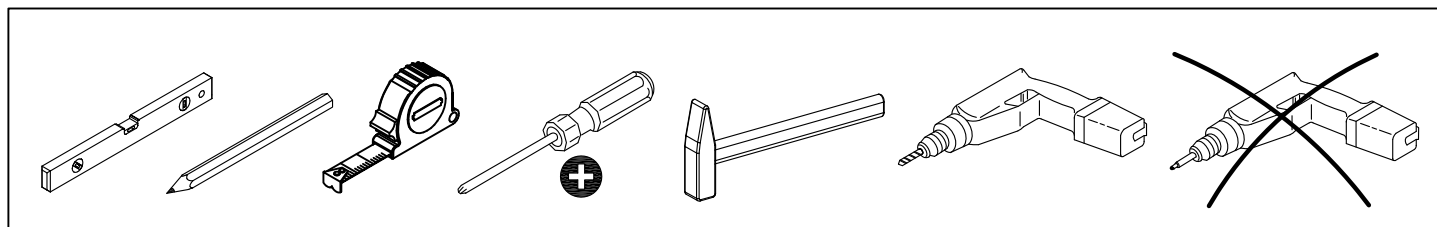
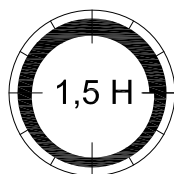
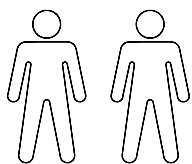
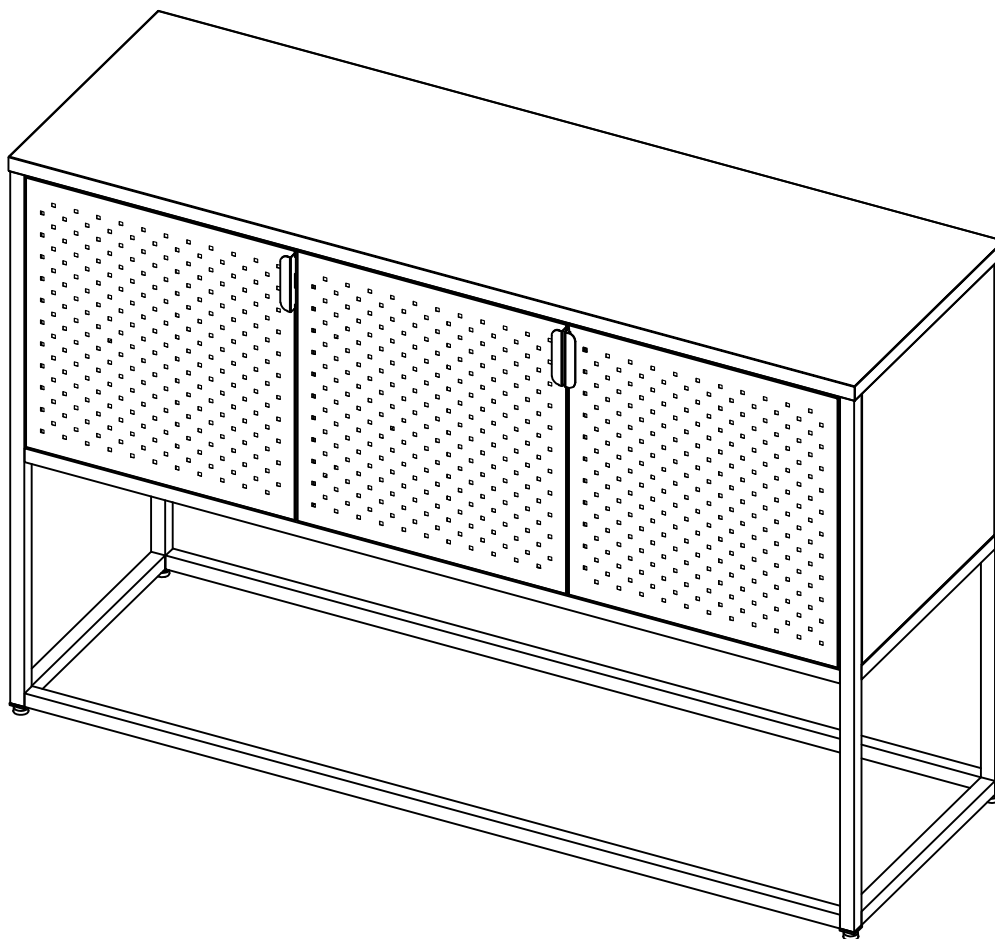
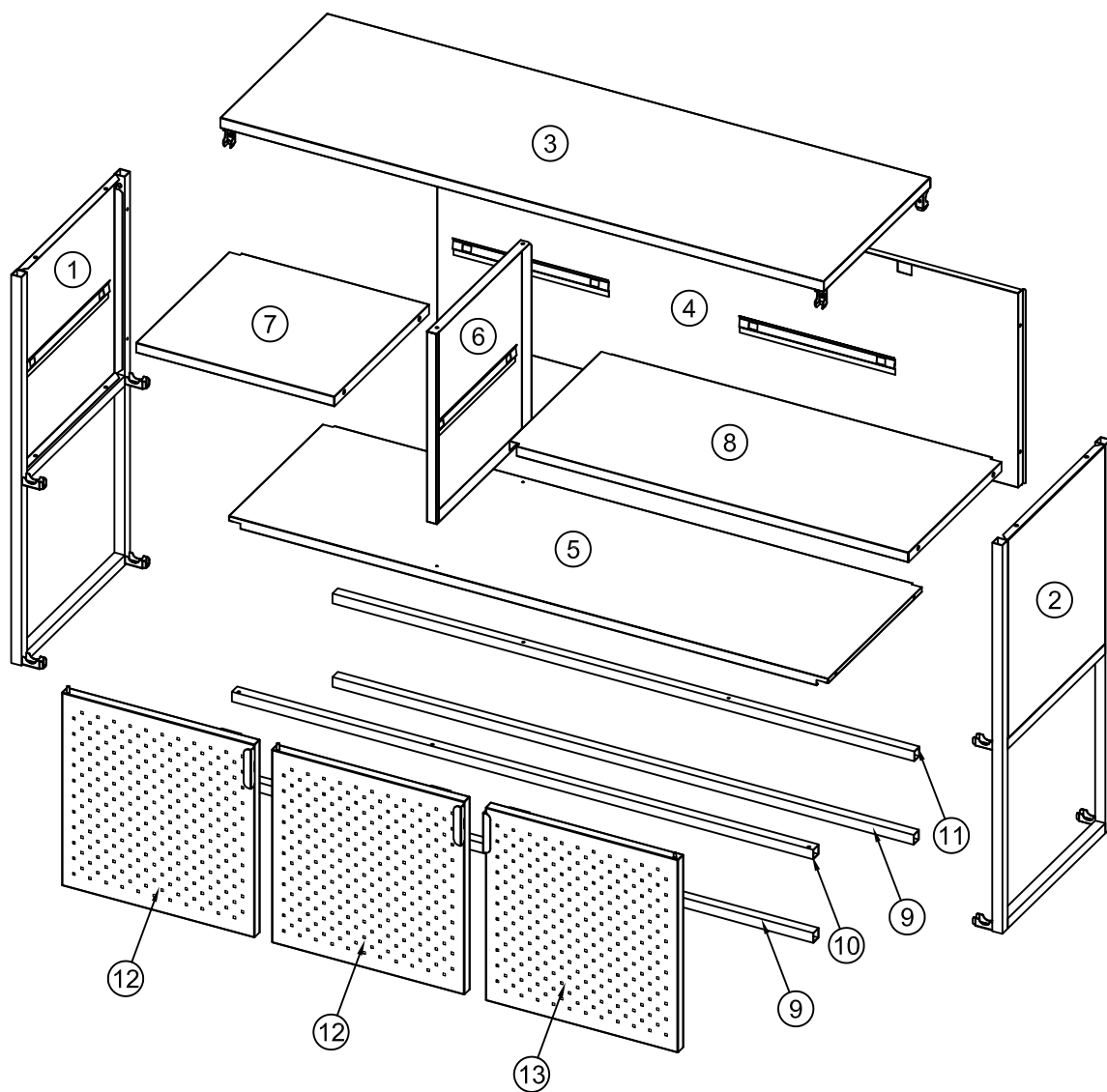


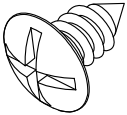
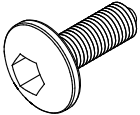
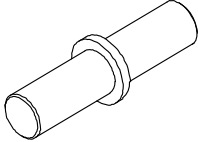
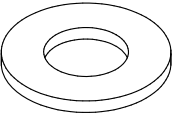
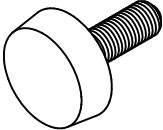
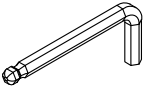
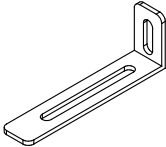
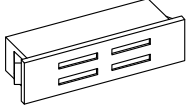
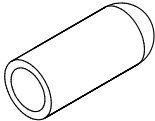
NEWTON



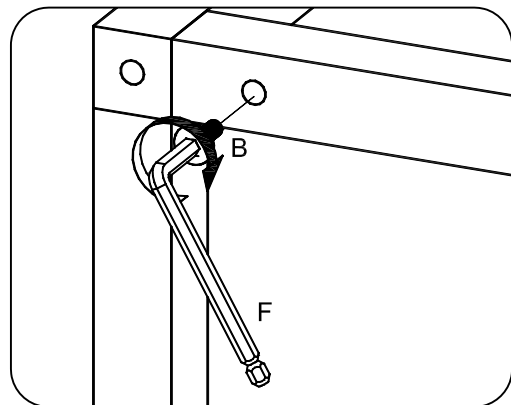
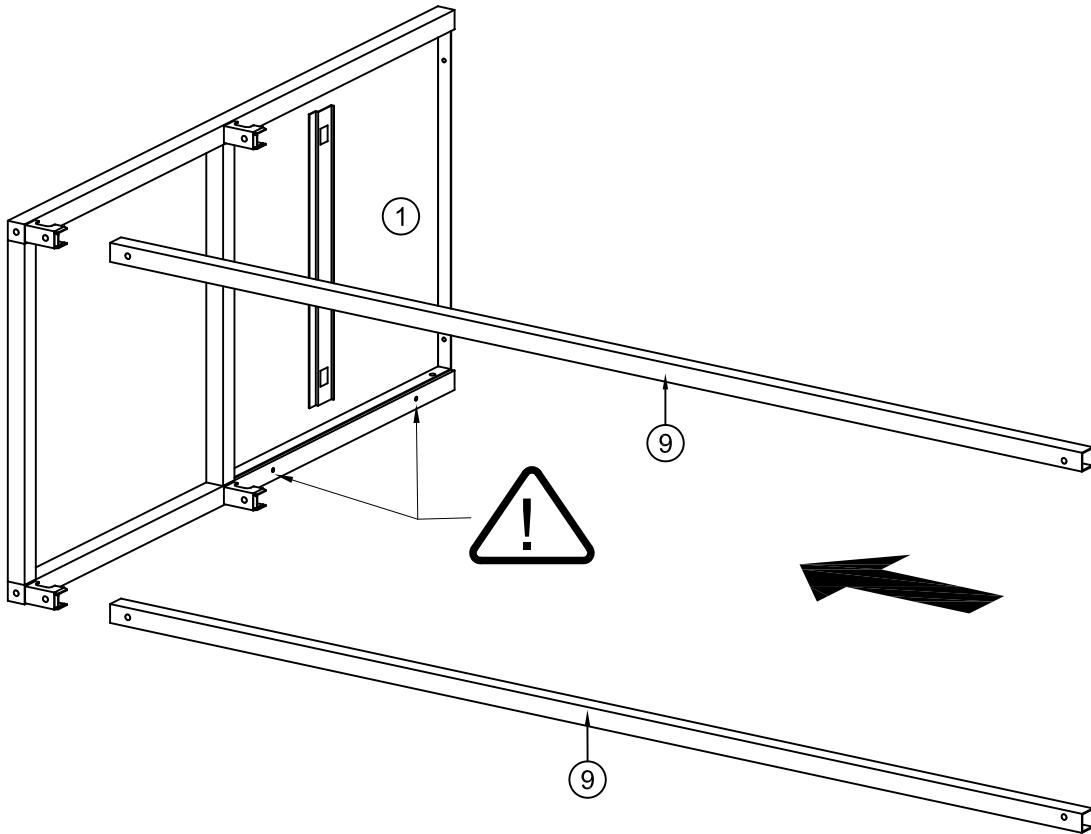
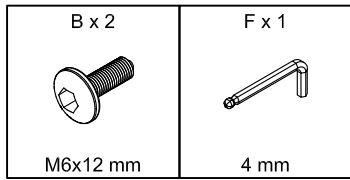
			✓
①	1	770x400x60	
②	1	770x400x60	
③	1	1203x403x61	
④	1	1170x405x18	
⑤	1	1195x360x20	
⑥	1	391,5x359x20	

			✓
⑦	1	395,5x358x20	
⑧	1	801x358x20	
⑨	2	1160x20x20	
⑩	1	1160x20x20	
⑪	1	1160x20x20	
⑫	2	397x384x20	
⑬	1	397x384x20	

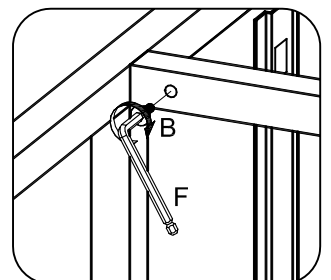
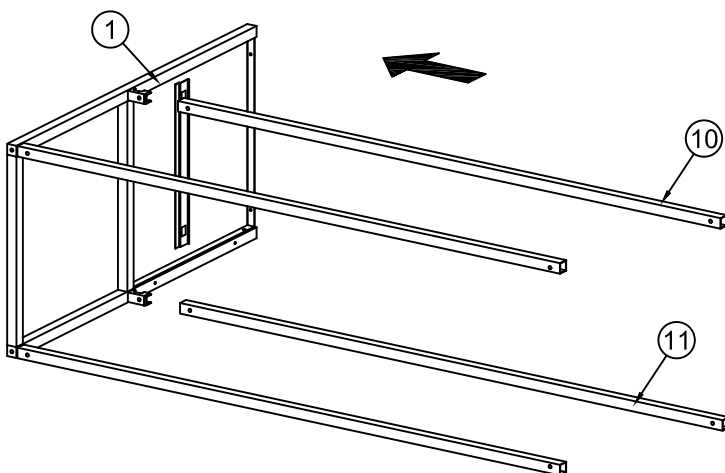
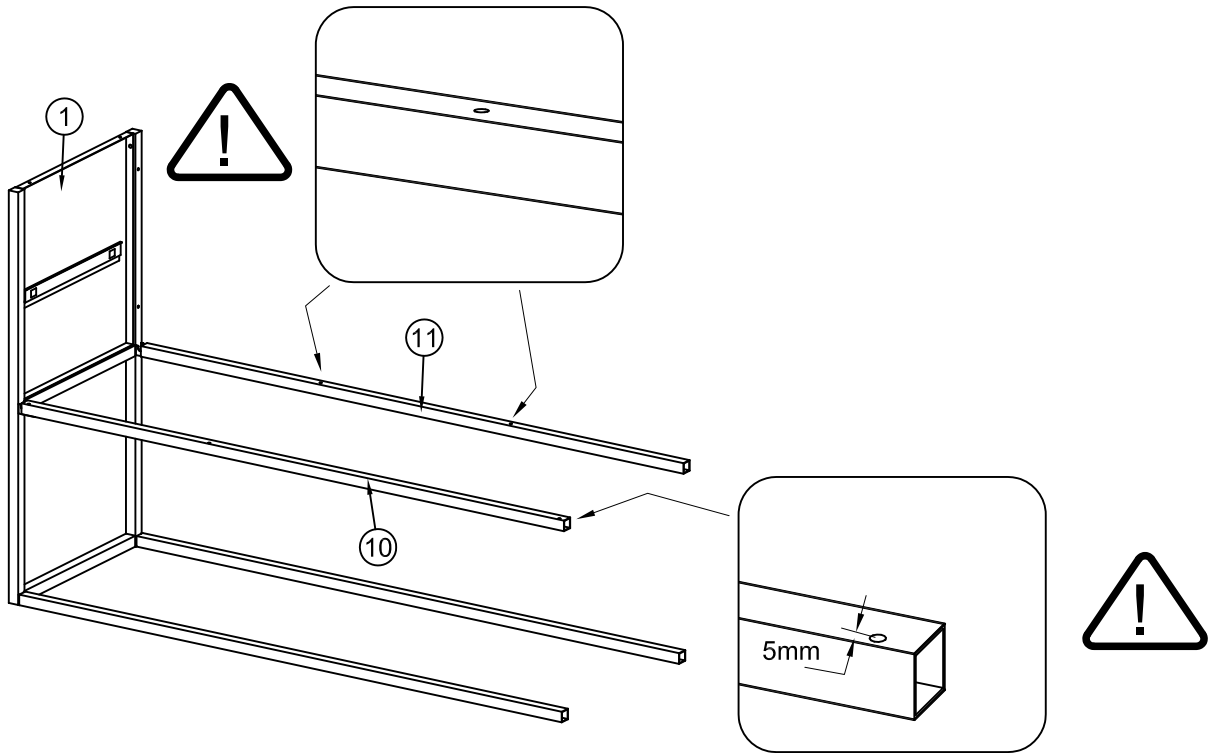
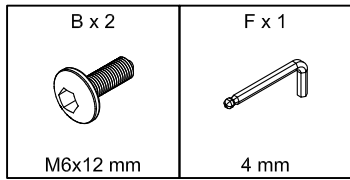


<p>A x 12</p>  <p>Ø5x12 mm</p>	<p>B x 12</p>  <p>M6x12 mm</p>	<p>C x 3</p>  <p>Ø4,8x22 mm</p>	<p>D x 3</p>  <p>Ø5,5 mm</p>	<p>E x 4</p>  <p>M6/Ø20 mm</p>
<p>F x 1</p>  <p>4 mm</p>	<p>G x 2</p>  <p>75x25x15 mm</p>	<p>H x 3</p>  <p>39x13,5x10,5 mm</p>	<p>J x 2</p>  <p>Ø5,5x12 mm</p>	

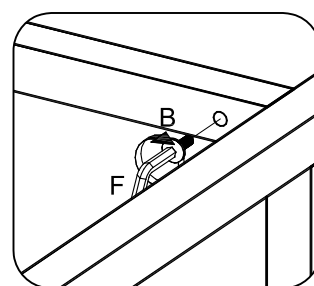
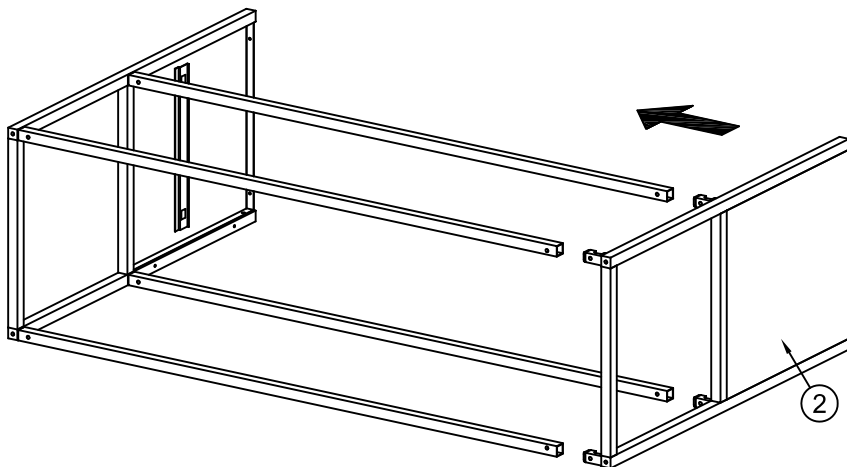
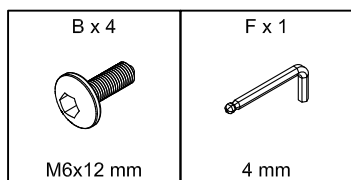
1



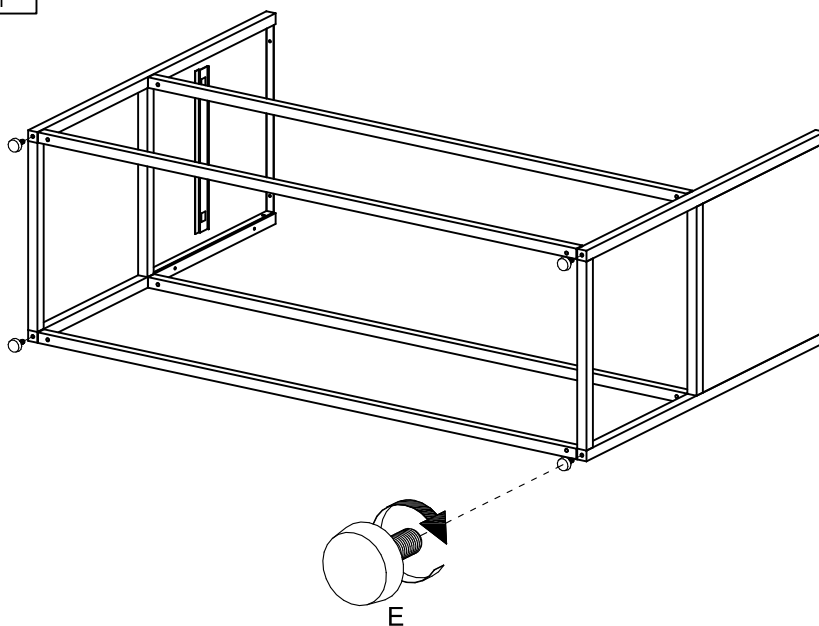
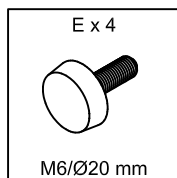
2



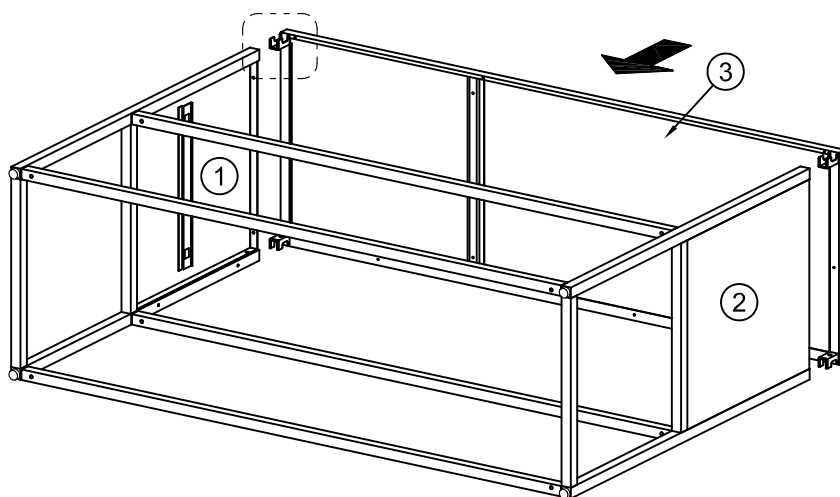
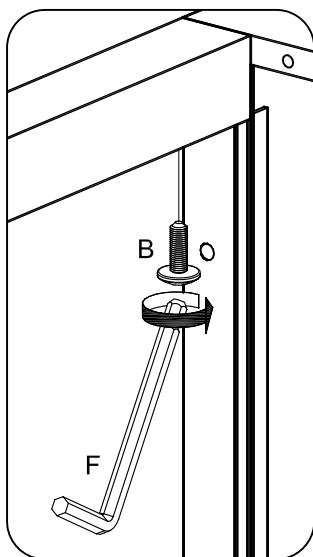
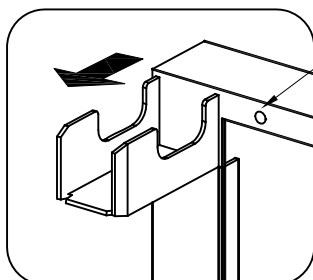
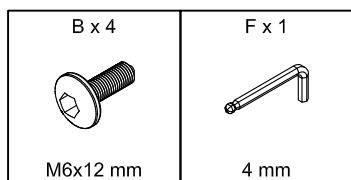
3



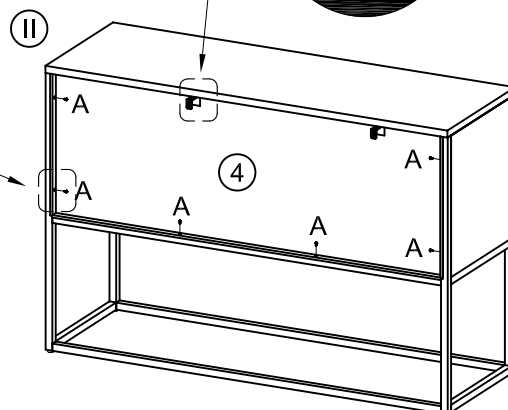
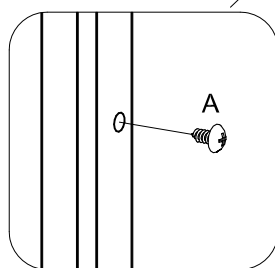
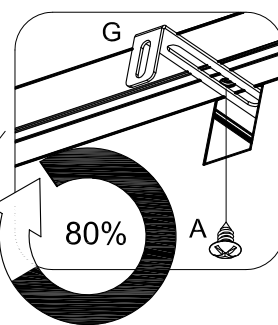
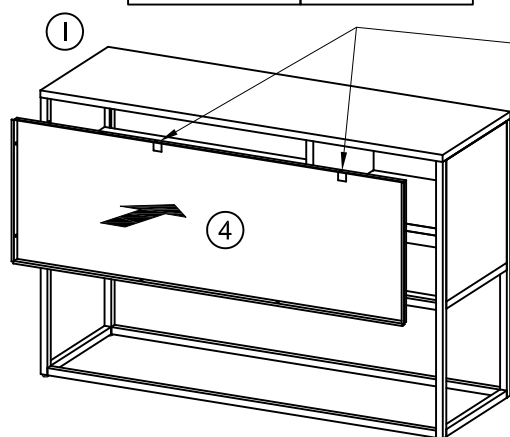
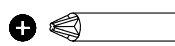
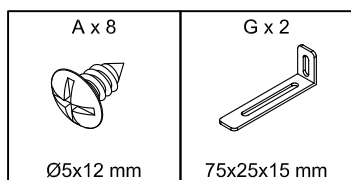
4



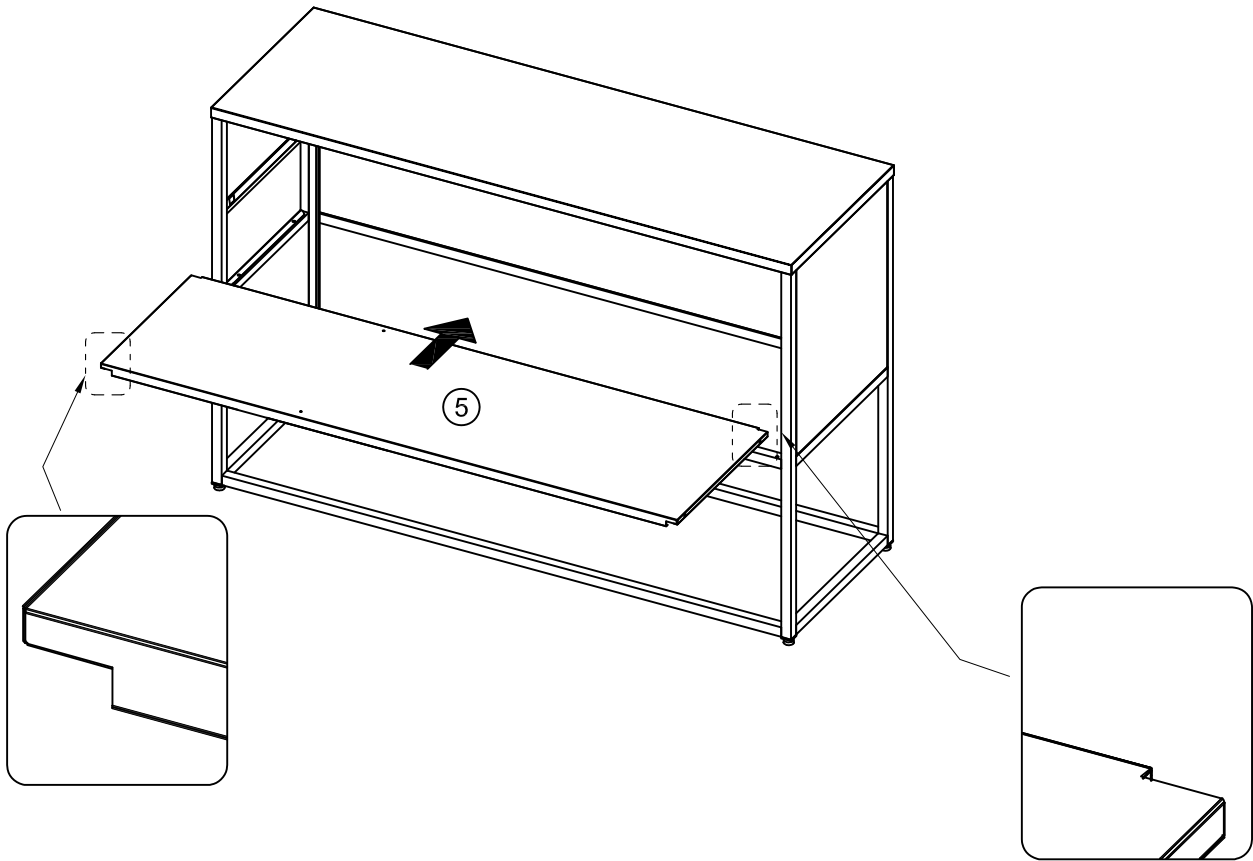
5



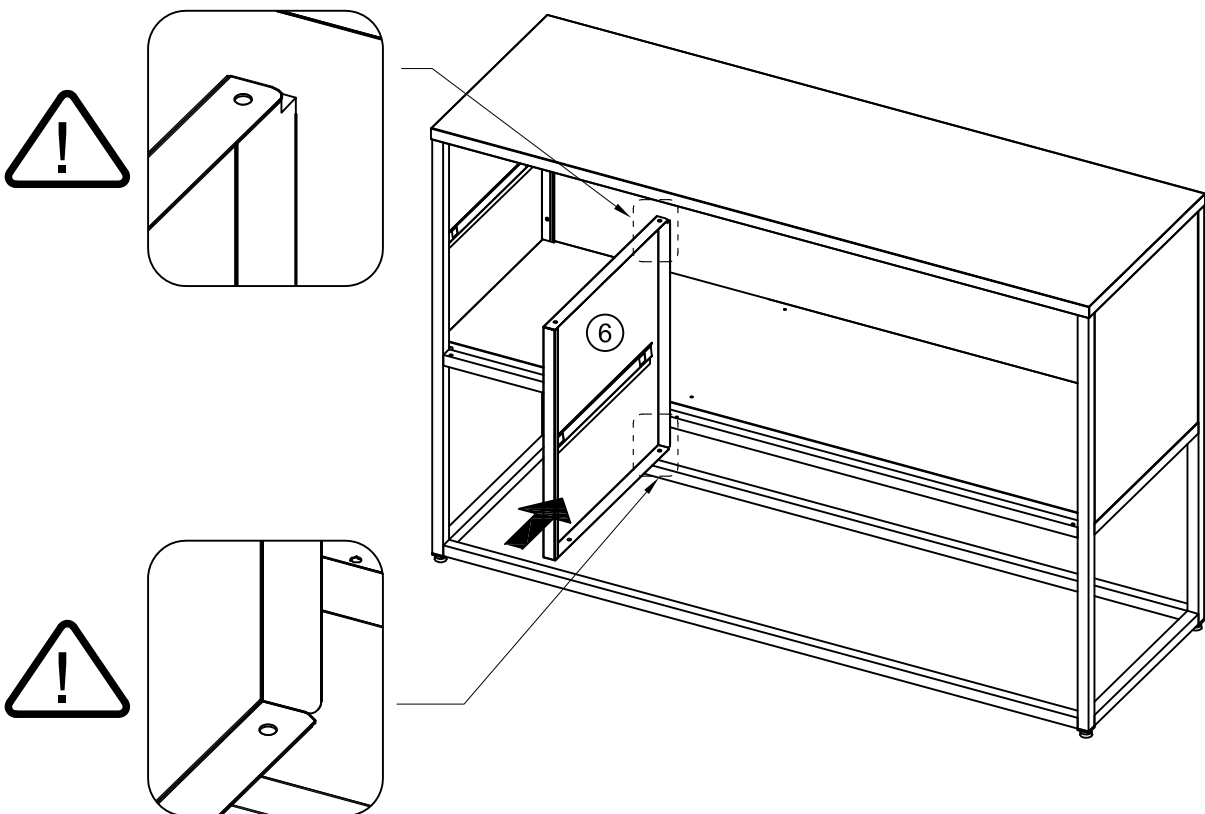
6



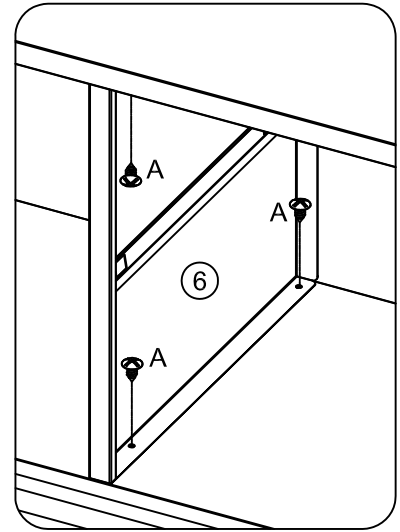
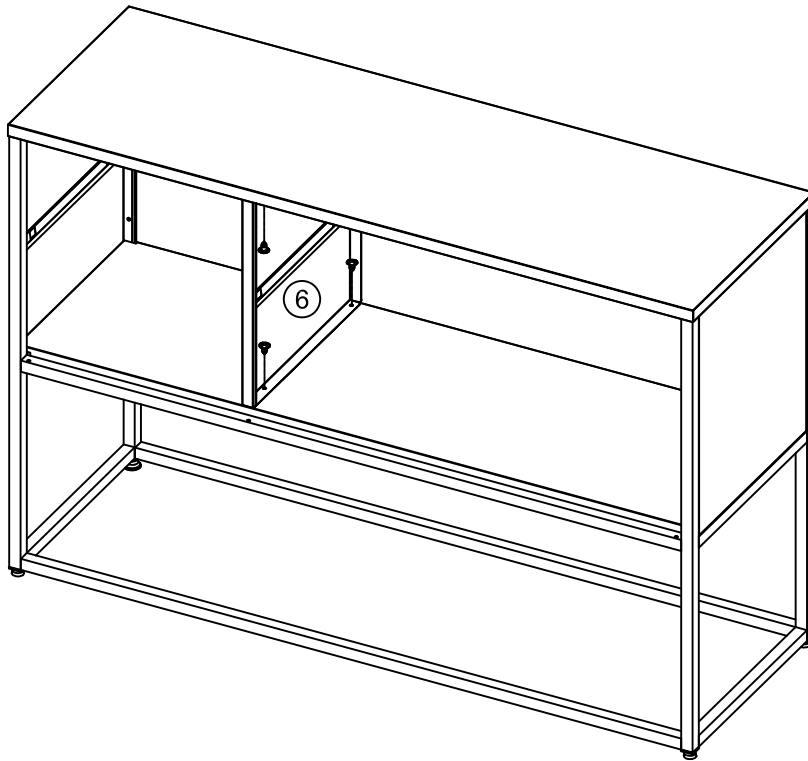
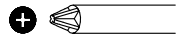
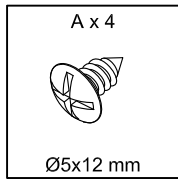
7



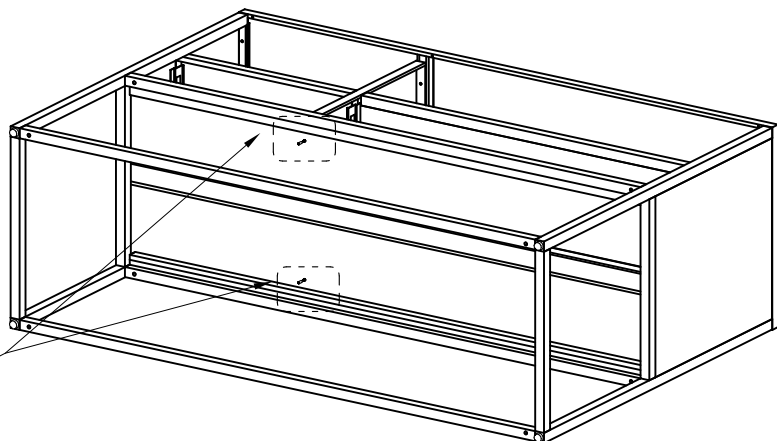
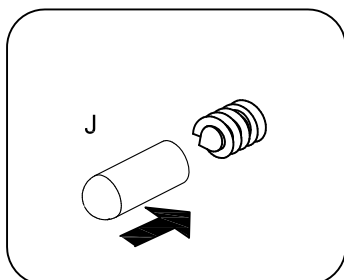
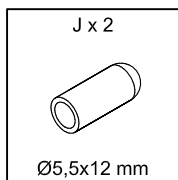
8



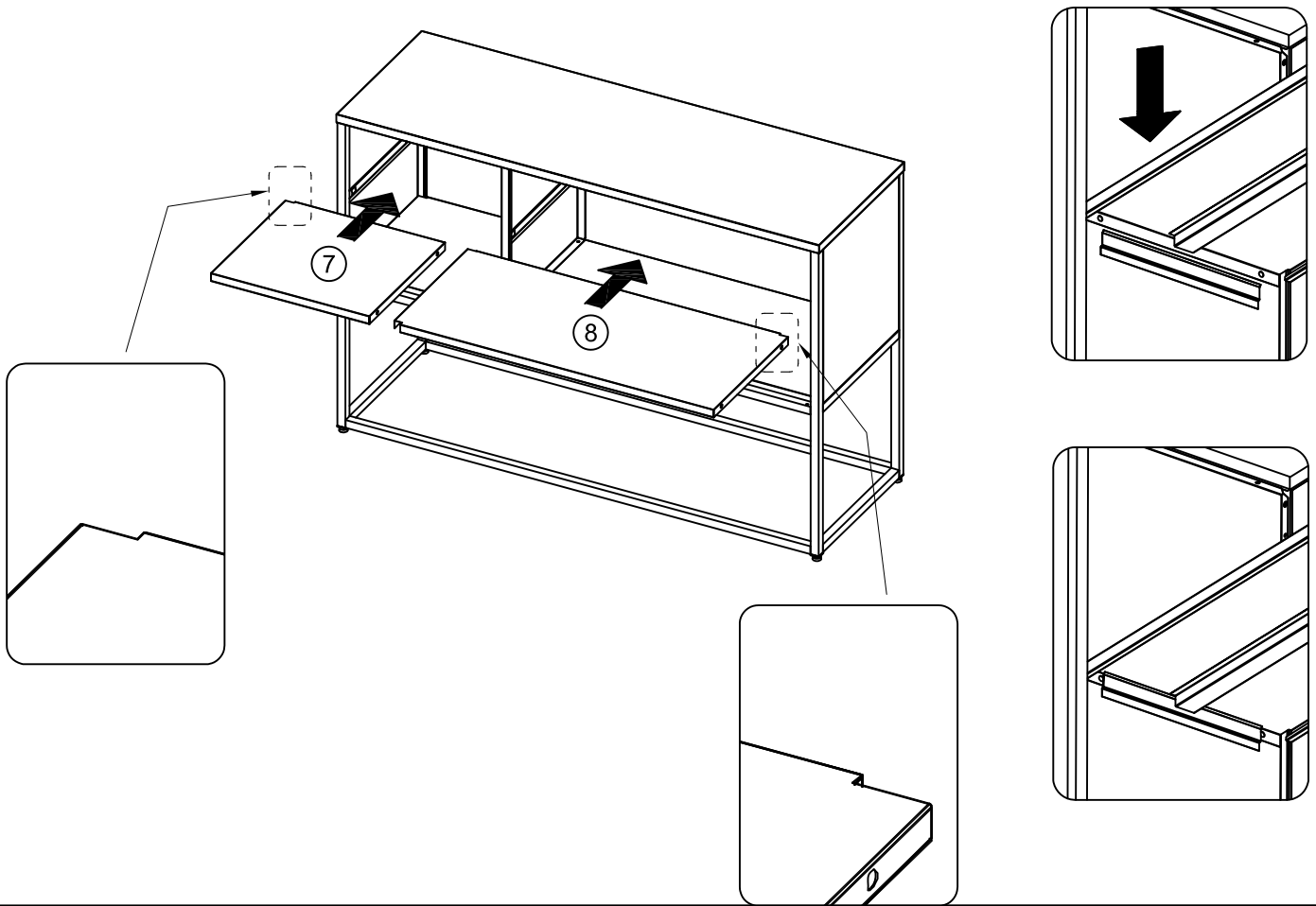
9



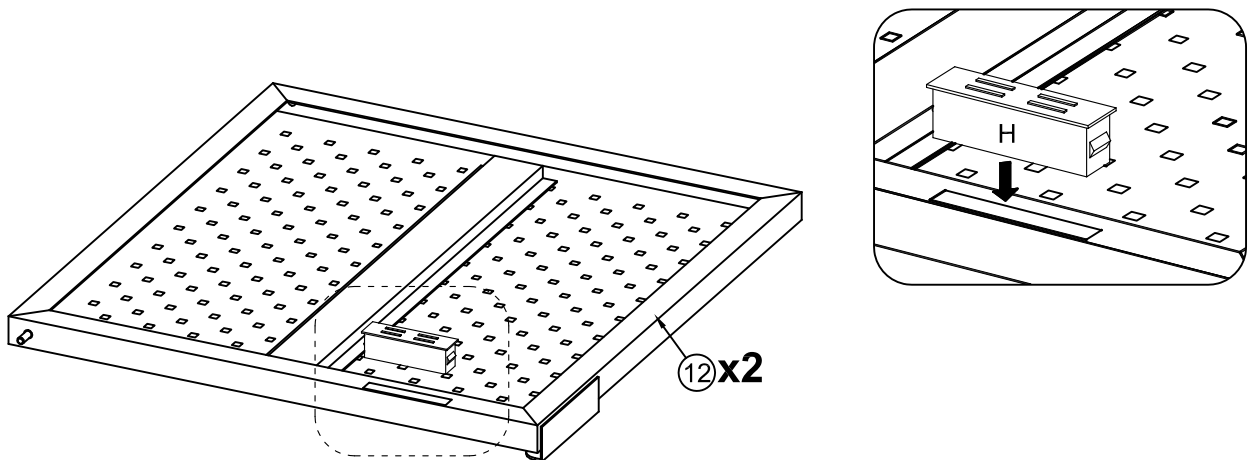
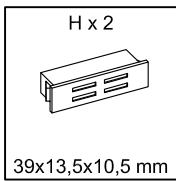
10



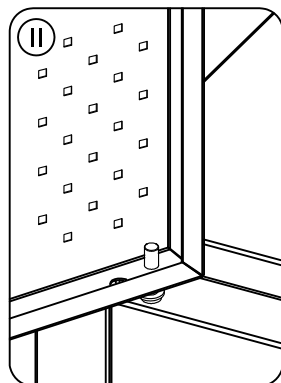
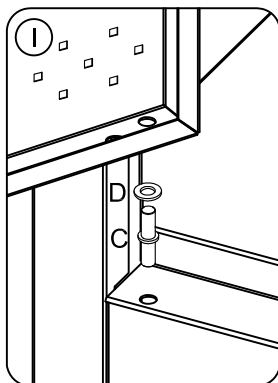
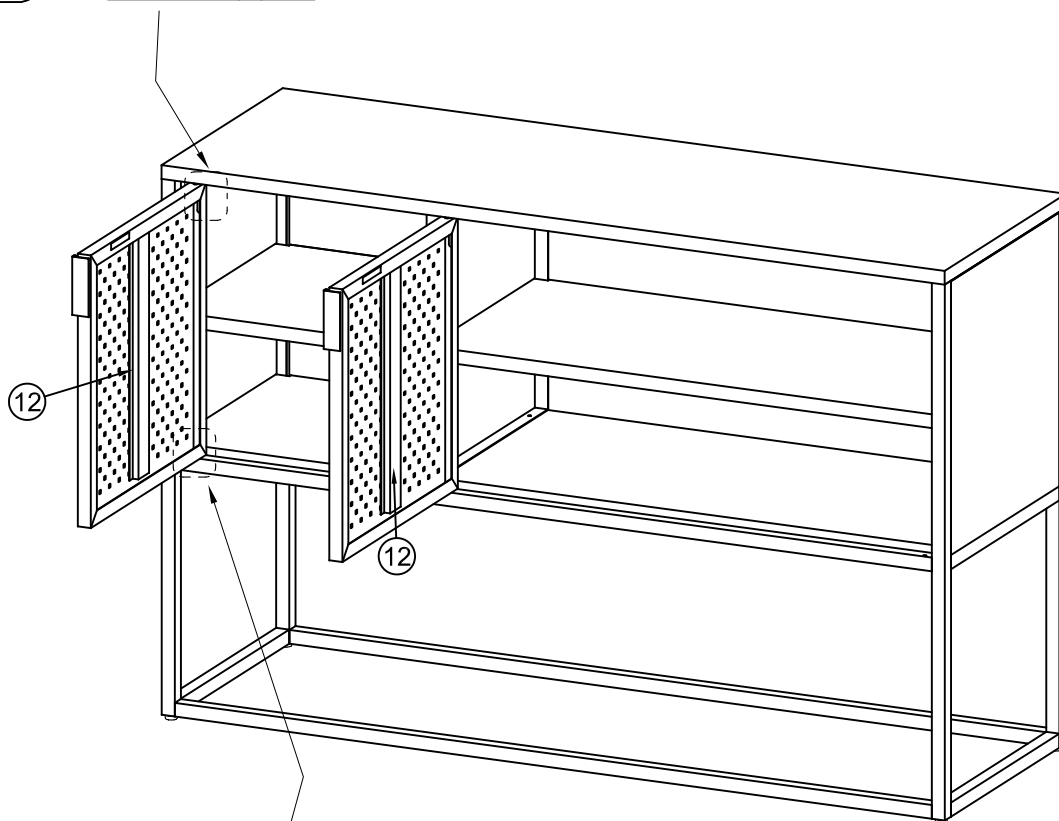
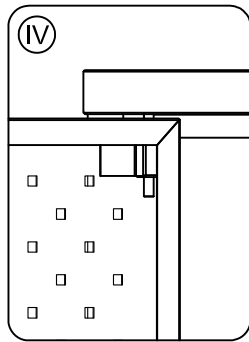
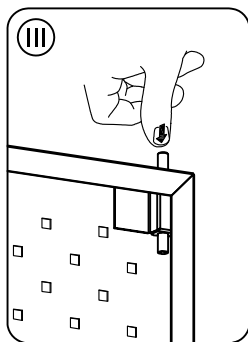
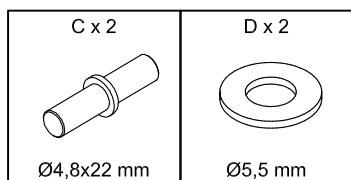
11



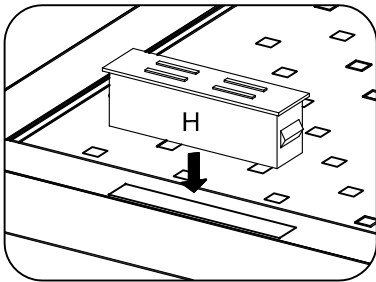
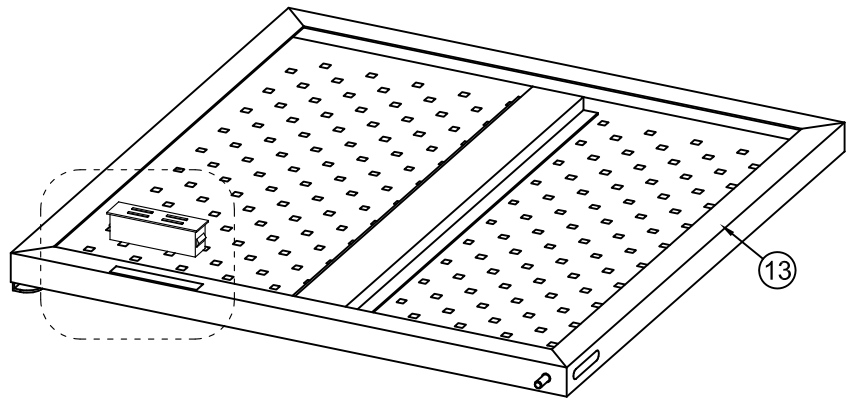
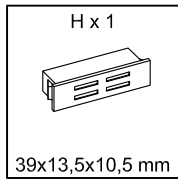
12



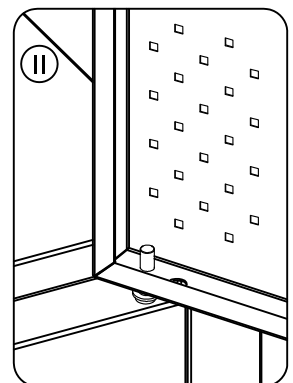
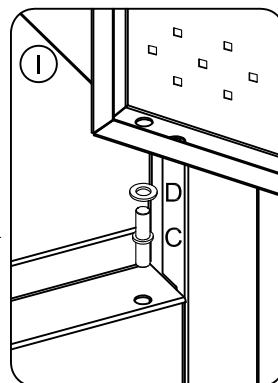
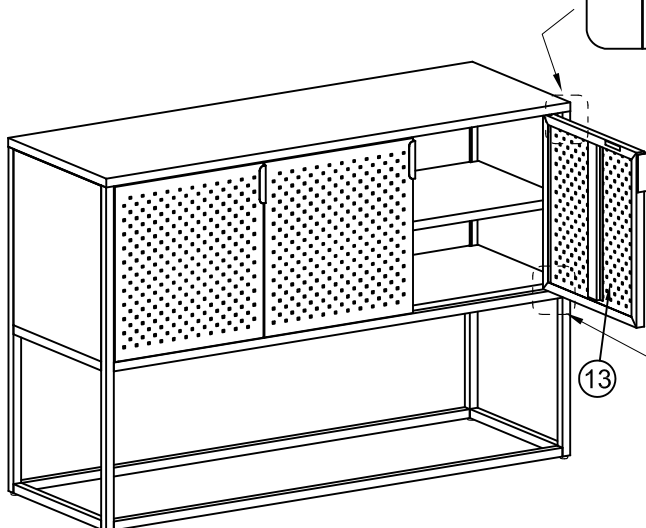
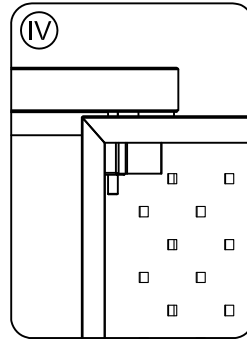
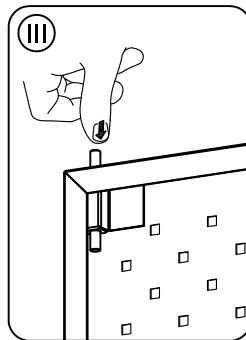
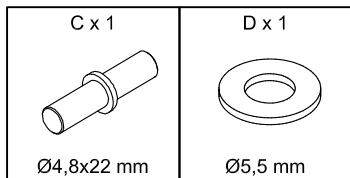
13



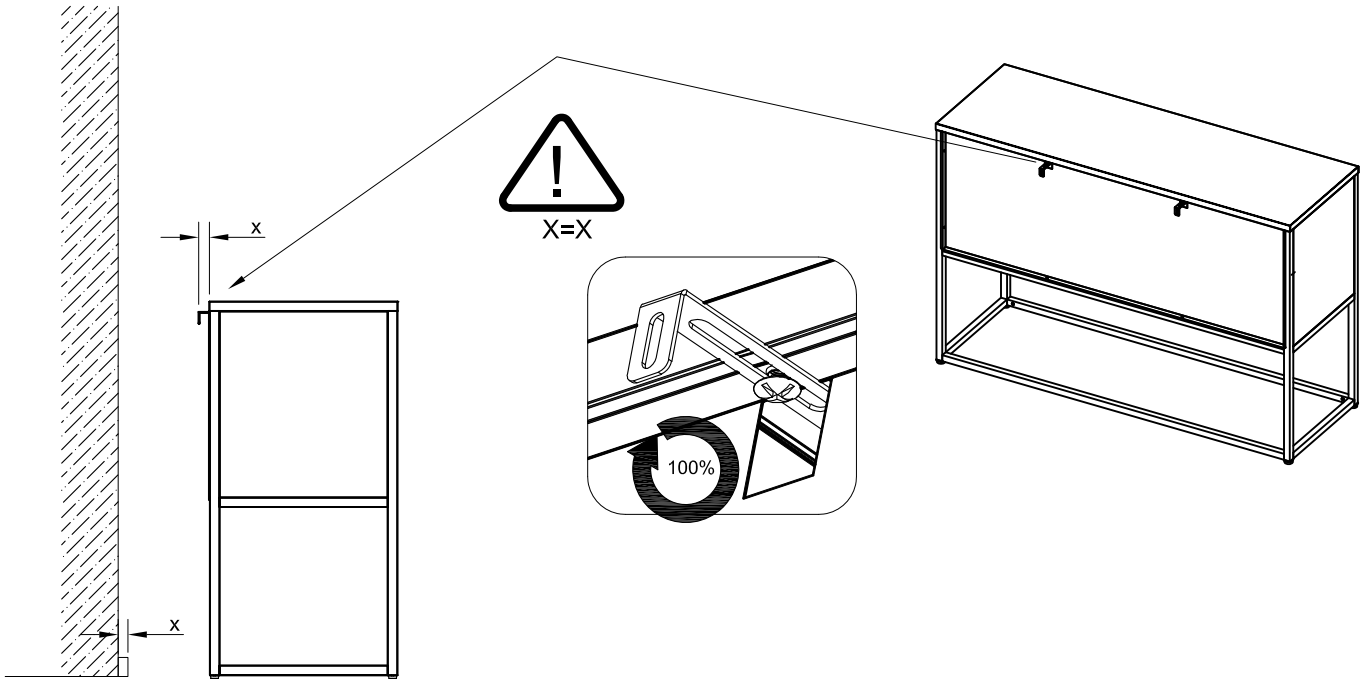
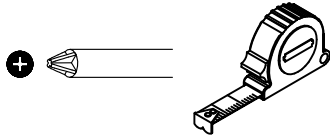
14



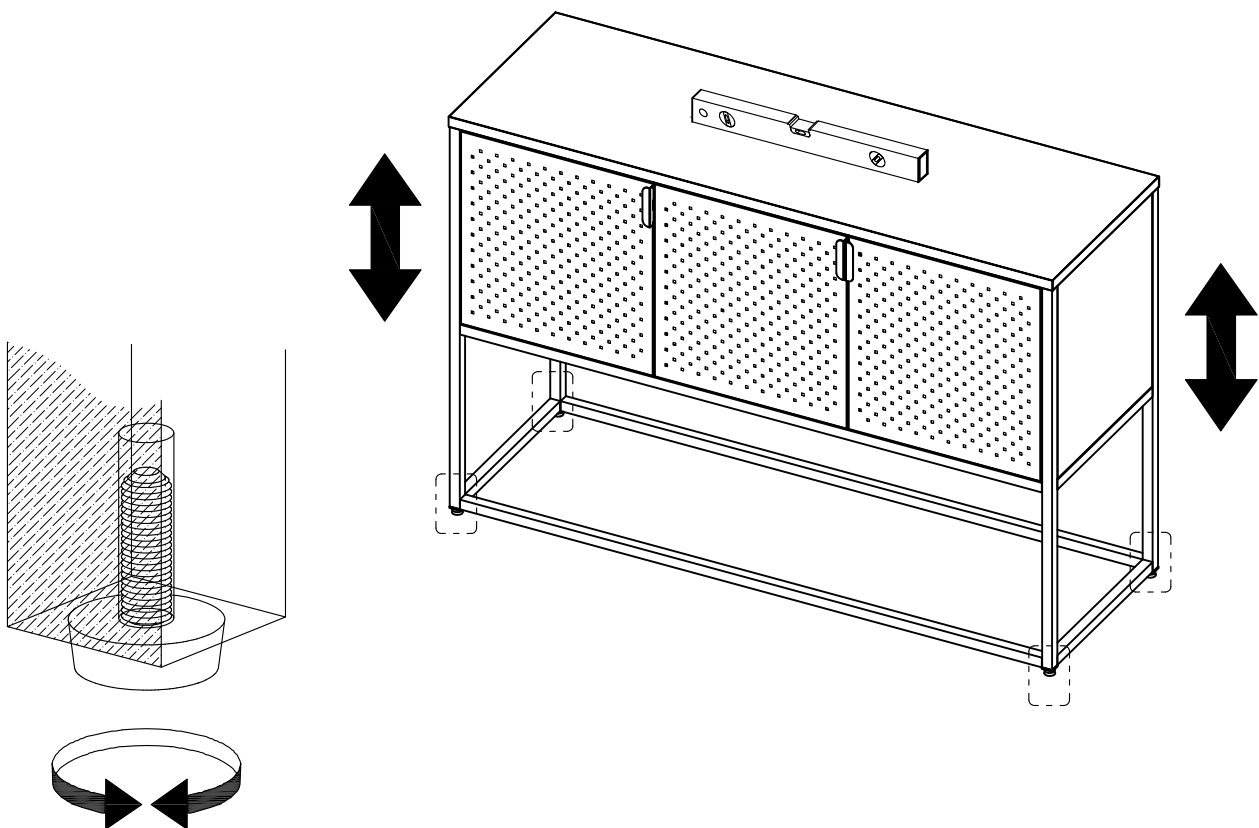
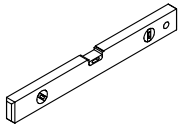
15



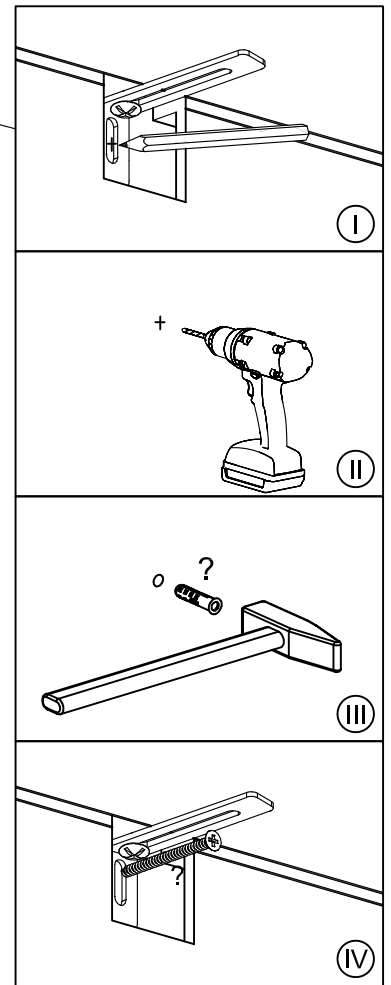
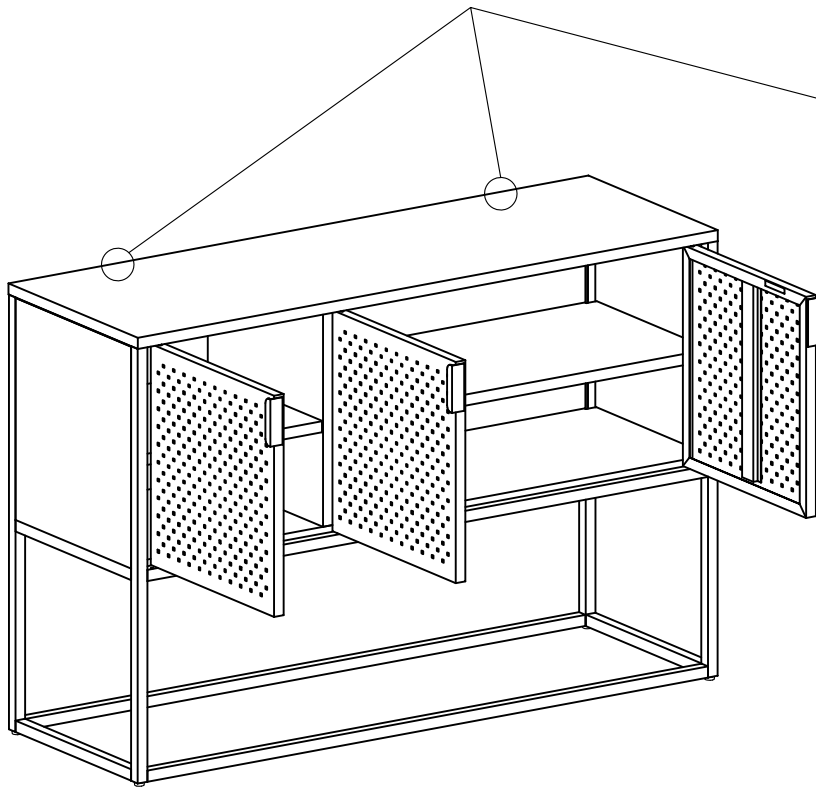
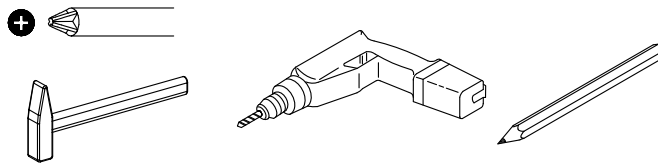
16



17



18



19

