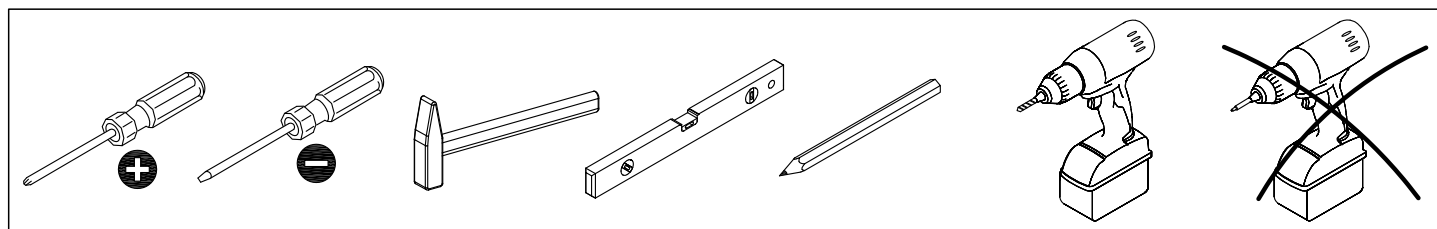
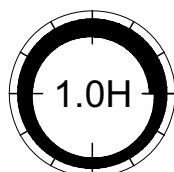
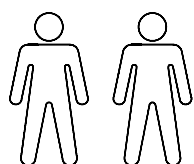
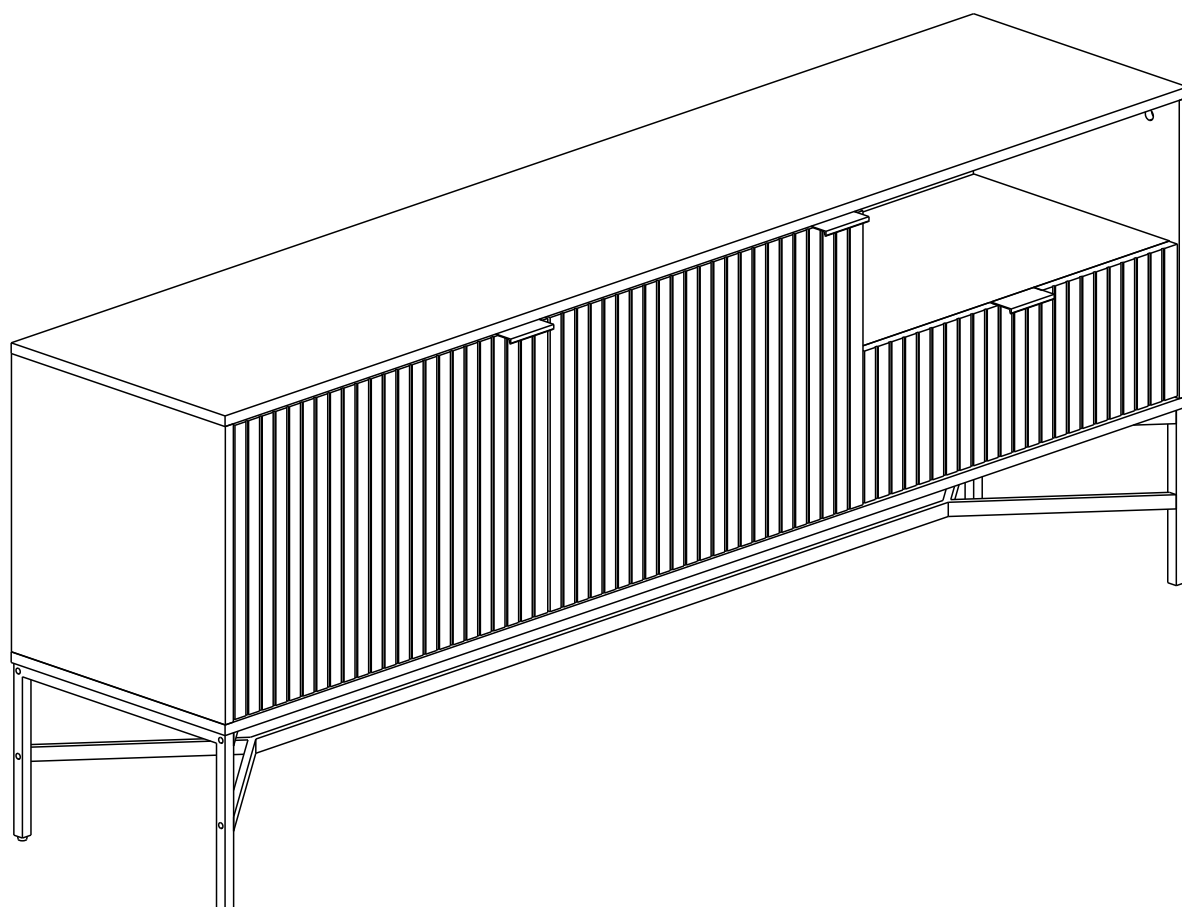
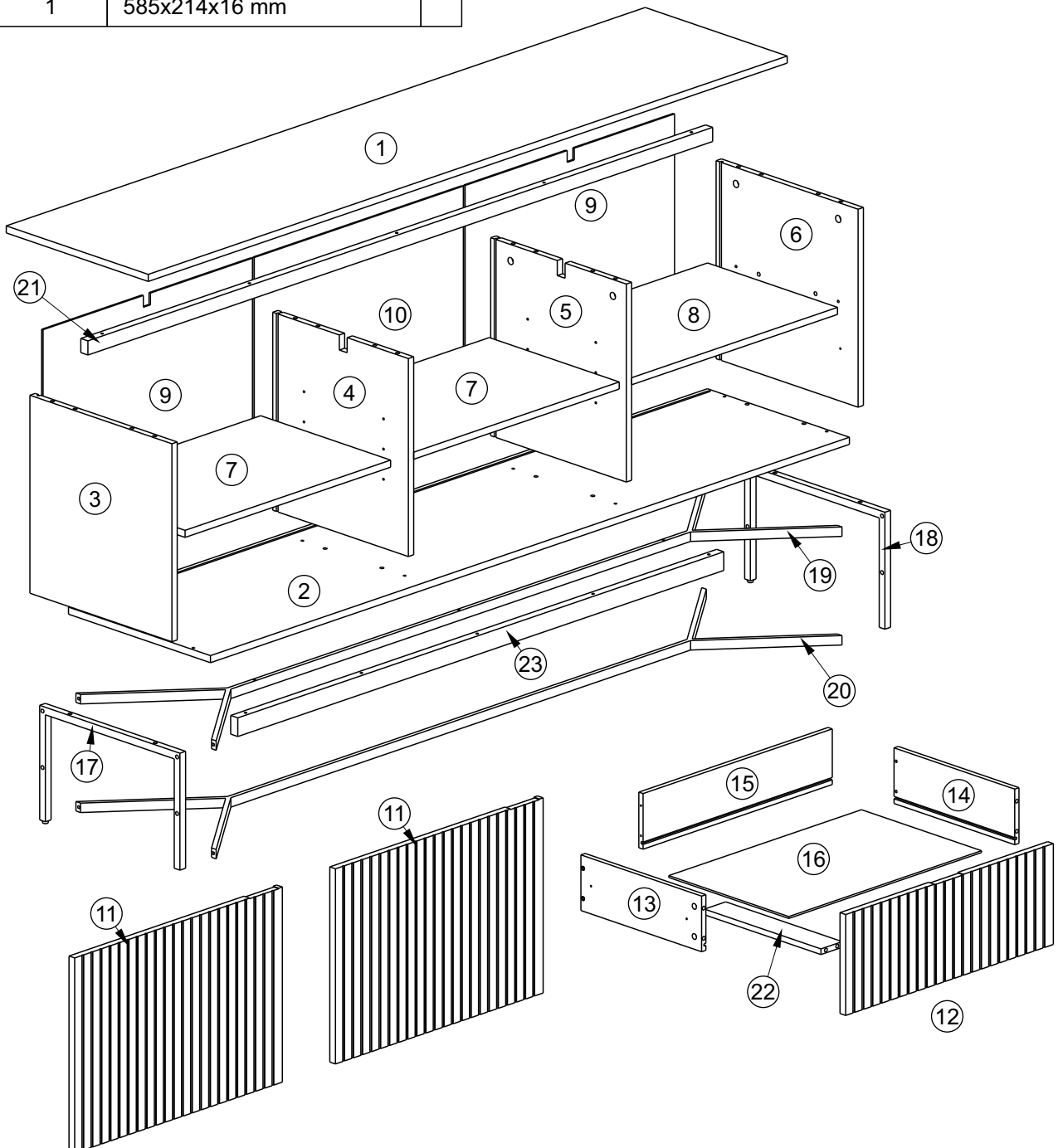


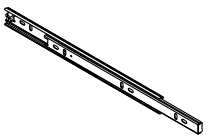
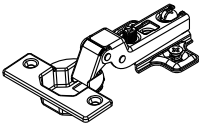

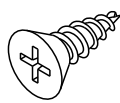
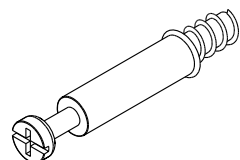
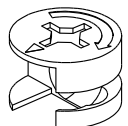
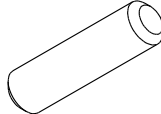
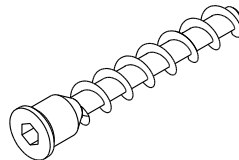
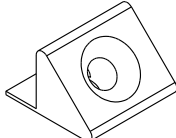
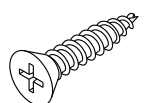
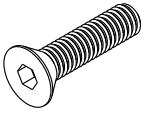
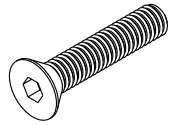
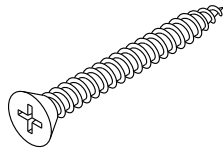
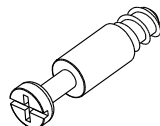
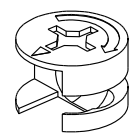
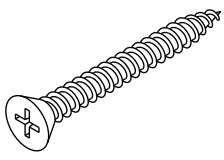
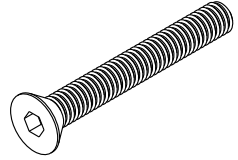
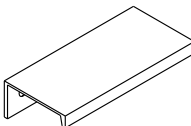
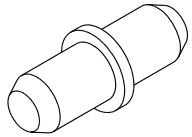
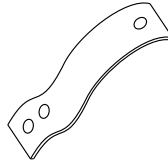
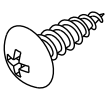

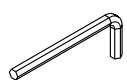


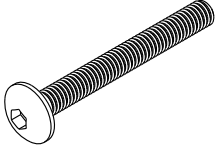
JAIPUR



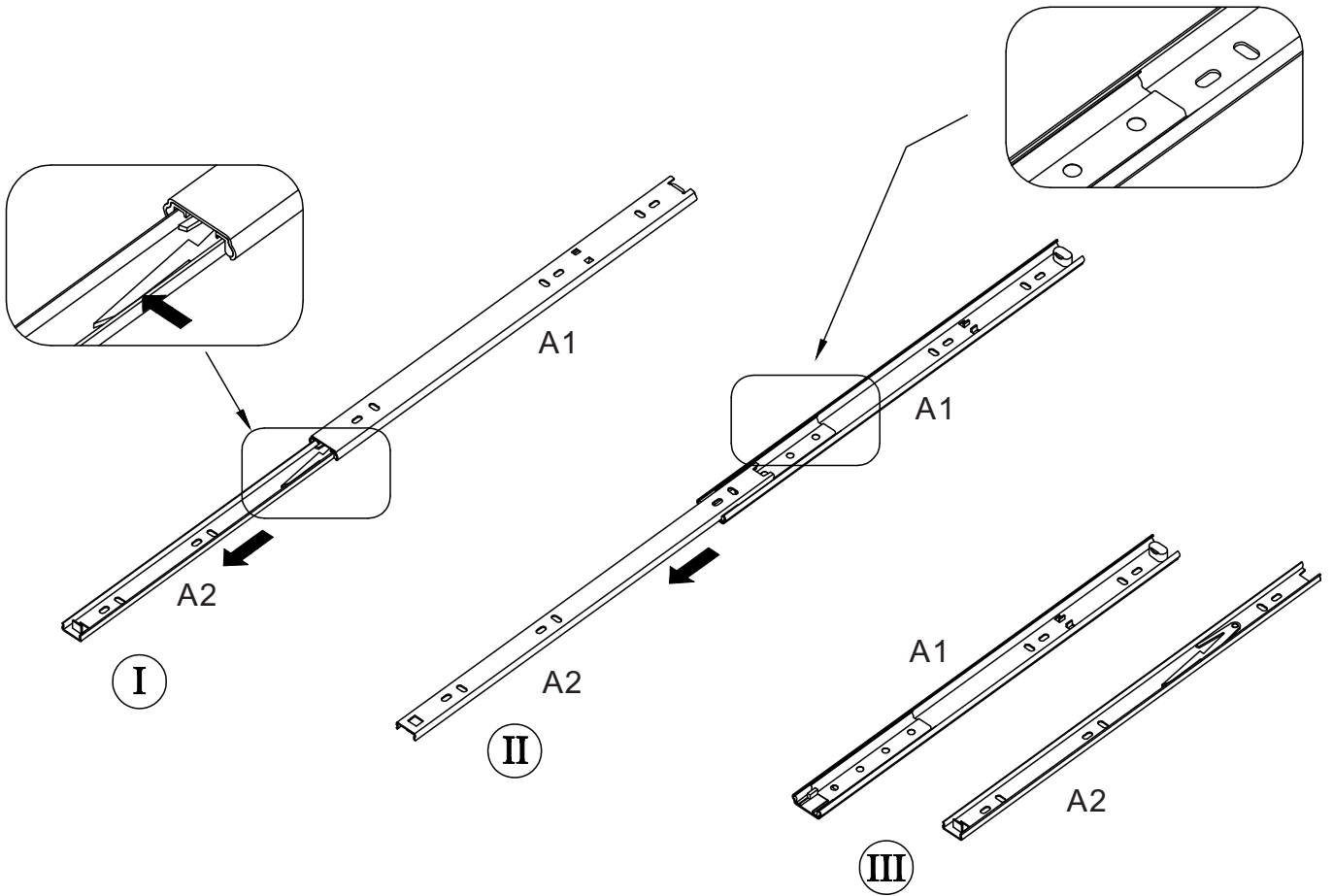
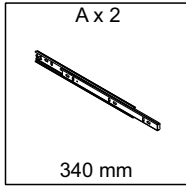
			✓
①	1	1800x400x15mm	
②	1	1800x400x15mm	
③	1	400x420x15 mm	
④	1	382x420x15 mm	
⑤	1	382x420x15 mm	
⑥	1	400x420x15 mm	
⑦	2	578.5x367x15mm	
⑧	1	580x367x15mm	
⑨	2	590x430x4mm	
⑩	1	590x430x4mm	
⑪	2	585x414x16mm	
⑫	1	585x214x16 mm	

			✓
⑬	1	340x118x12 mm	
⑭	1	340x118x12 mm	
⑮	1	536x118x12 mm	
⑯	1	546x338x4 mm	
⑰	1	395x252x16 mm	
⑱	1	395x252x16 mm	
⑲	1	1763x392x20 mm	
⑳	1	1763x392x20 mm	
㉑	1	1760x30x20 mm	
㉒	1	329x60x12 mm	
㉓	1	1300x40x20 mm	

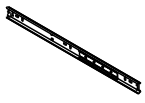

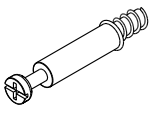
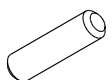


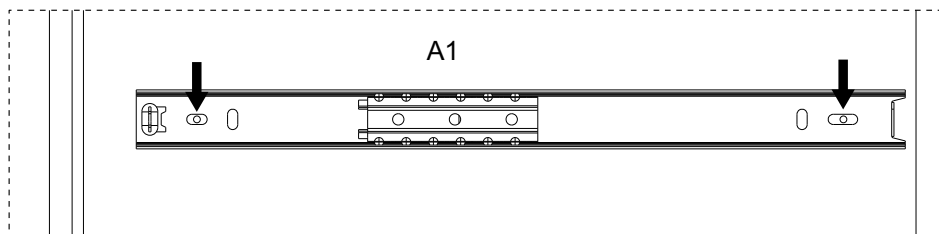
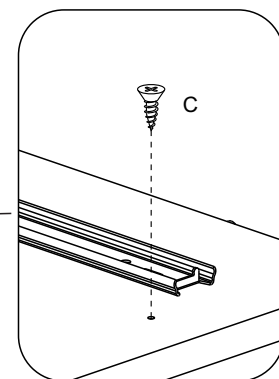
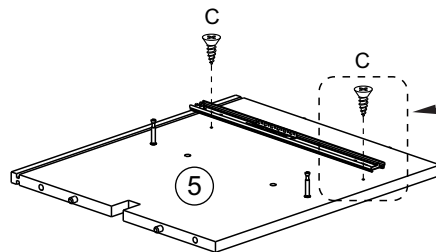
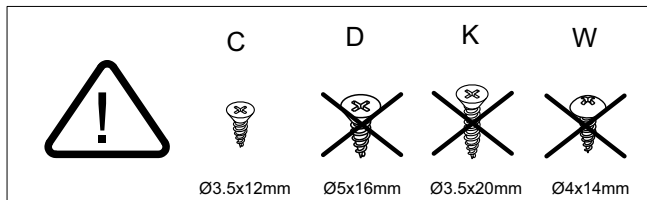
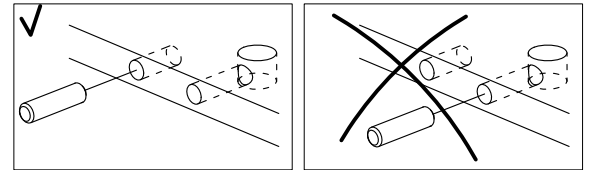
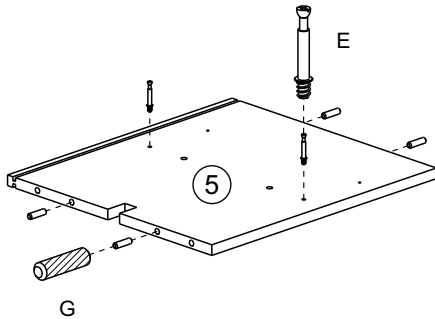
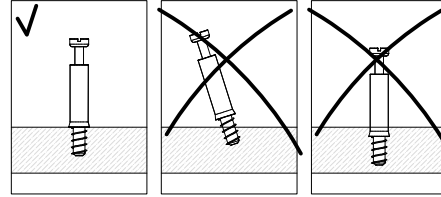
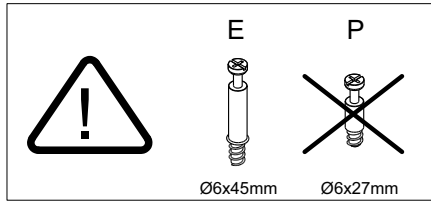
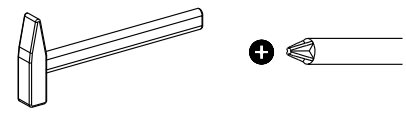
<p>A x 2</p>  <p>340mm</p>	<p>B x 4</p>  <p>Ø35/FK17mm</p>	<p>C x 14</p>  <p>Ø3.5x12mm</p>	<p>D x 16</p>  <p>Ø5x16mm</p>	<p>E x 12</p>  <p>Ø6x45mm</p>
<p>F x 12</p>  <p>Ø15x12mm</p>	<p>G x 20</p>  <p>Ø8x30mm</p>	<p>H x 8</p>  <p>Ø5x38mm</p>	<p>J x 8</p>  <p>15x13x10mm</p>	<p>K x 8</p>  <p>Ø3.5x20mm</p>
<p>L x 8</p>  <p>M6x22mm</p>	<p>M x 4</p>  <p>M6x25mm</p>	<p>N x 3</p>  <p>Ø4x32mm</p>	<p>P x 6</p>  <p>Ø6x27mm</p>	<p>Q x 6</p>  <p>Ø12x10mm</p>
<p>R x 6</p>  <p>Ø4x35mm</p>	<p>S x 5</p>  <p>M6x42mm</p>	<p>T x 3</p>  <p>80x38x19mm</p>	<p>U x 8</p>  <p>Ø5/Ø5mm</p>	<p>V x 2</p> 
<p>W x 4</p>  <p>Ø4x14mm</p>	<p>X x 6</p>  <p>Ø4/Ø13mm</p>	<p>Y x 1</p>  <p>4mm</p>	<p>Z x 1</p>  <p>3mm</p>	<p>AA x 12</p>  <p>Ø21mm</p>
<p>AB x 5</p>  <p>M6x50mm</p>				

1

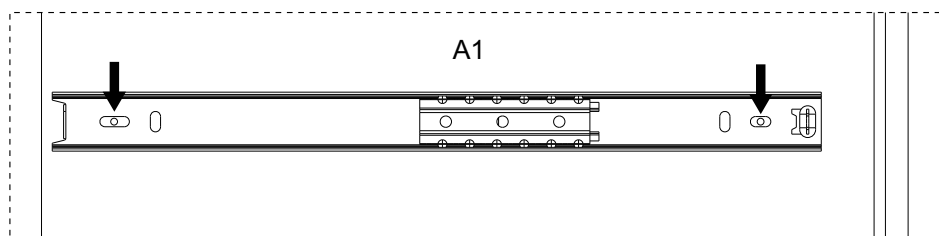
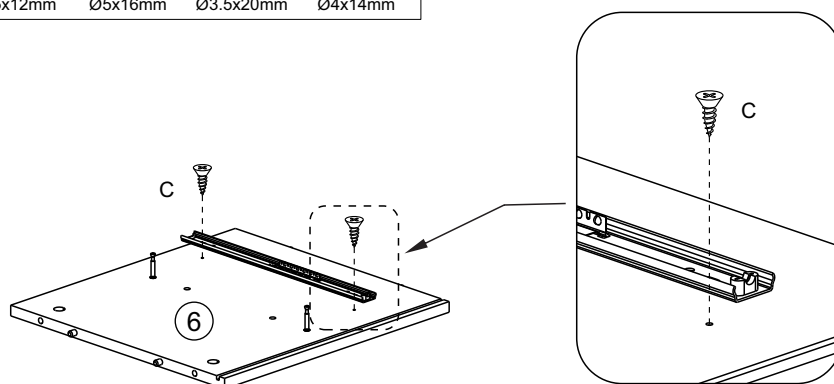
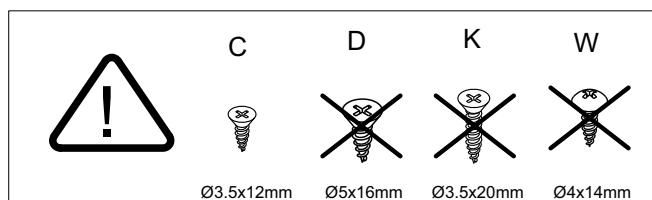
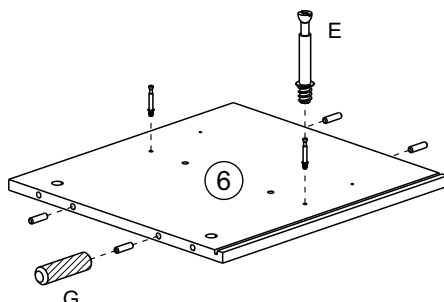
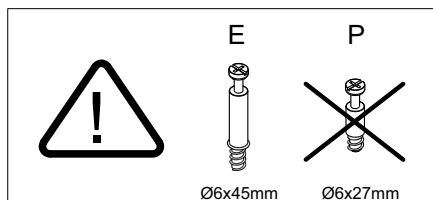
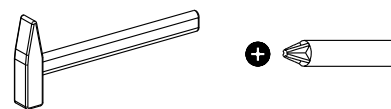
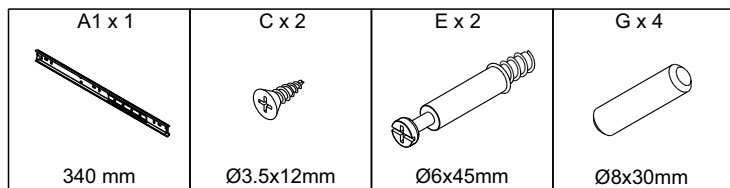


2

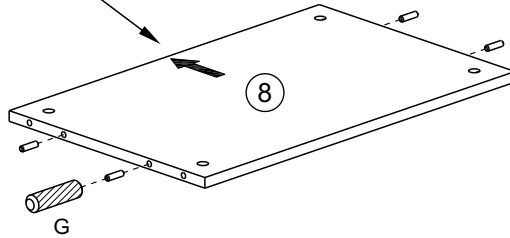
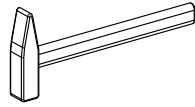
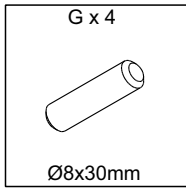
A1 x 1  340 mm	C x 2  Ø3.5x12mm	E x 2  Ø6x45mm	G x 4  Ø8x30mm
---	---	---	---



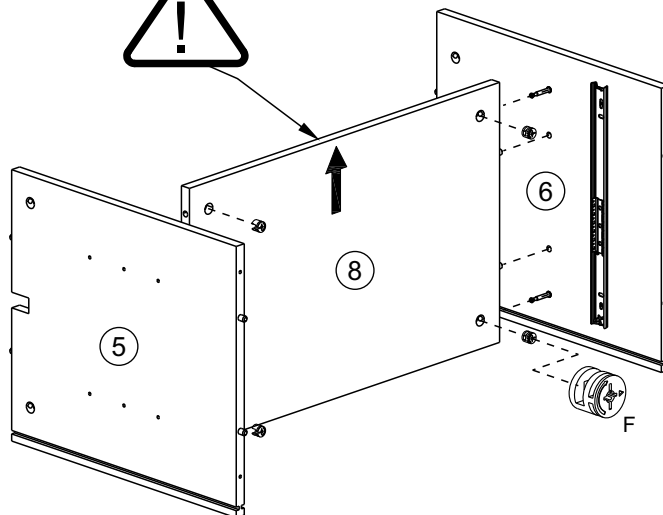
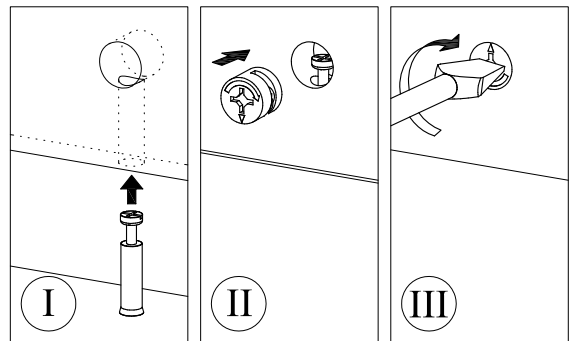
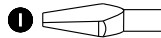
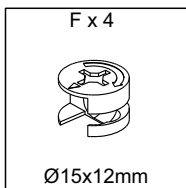
3



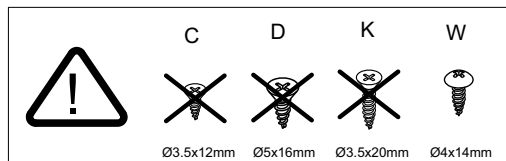
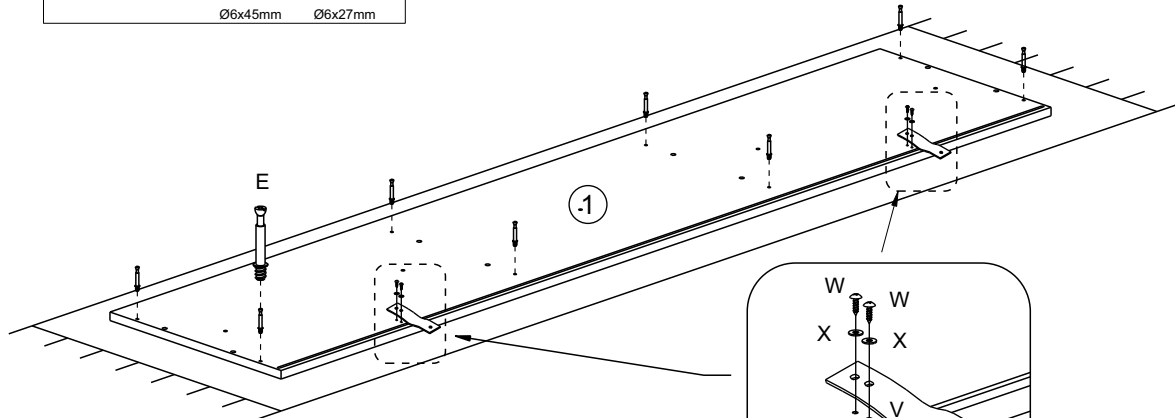
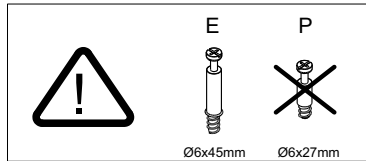
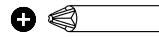
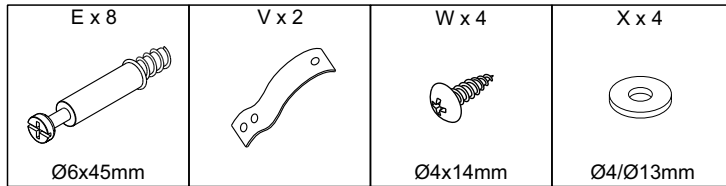
4



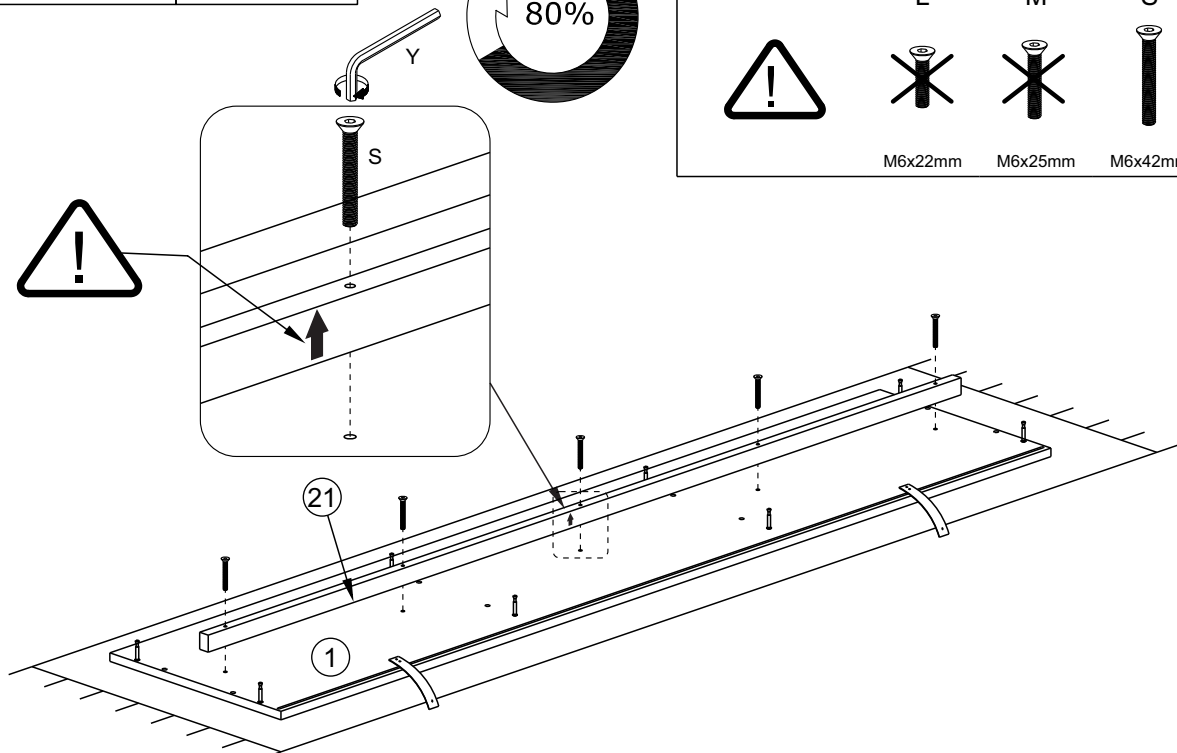
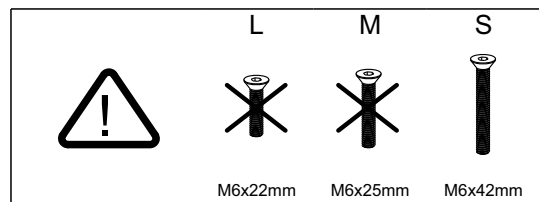
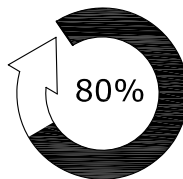
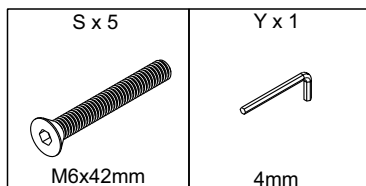
5



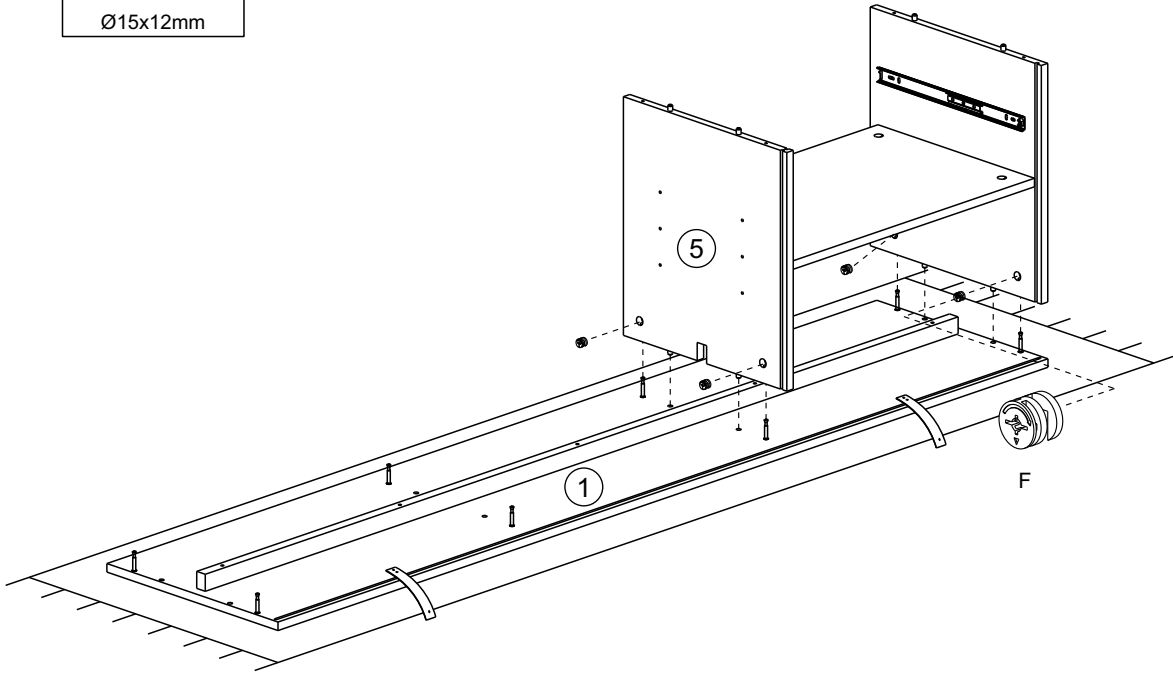
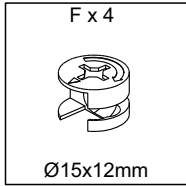
6



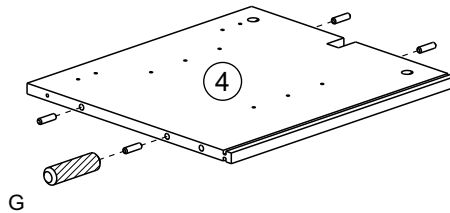
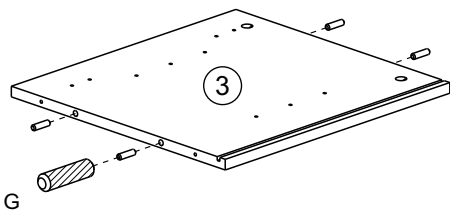
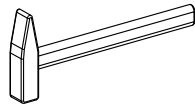
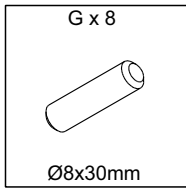
7



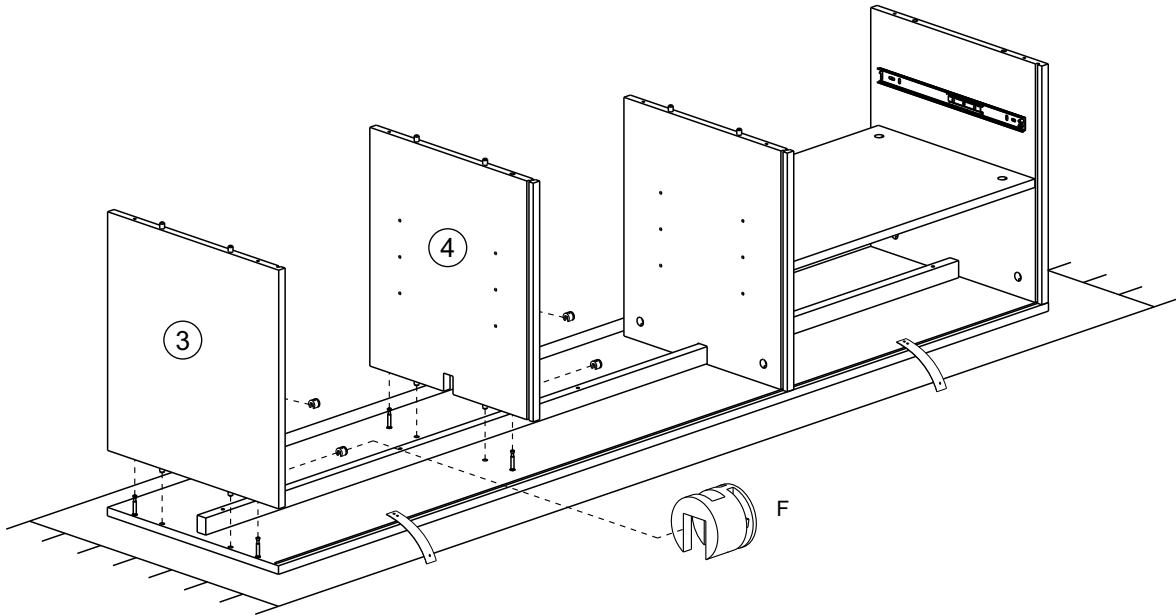
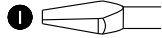
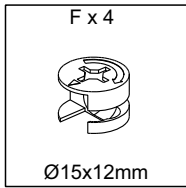
8



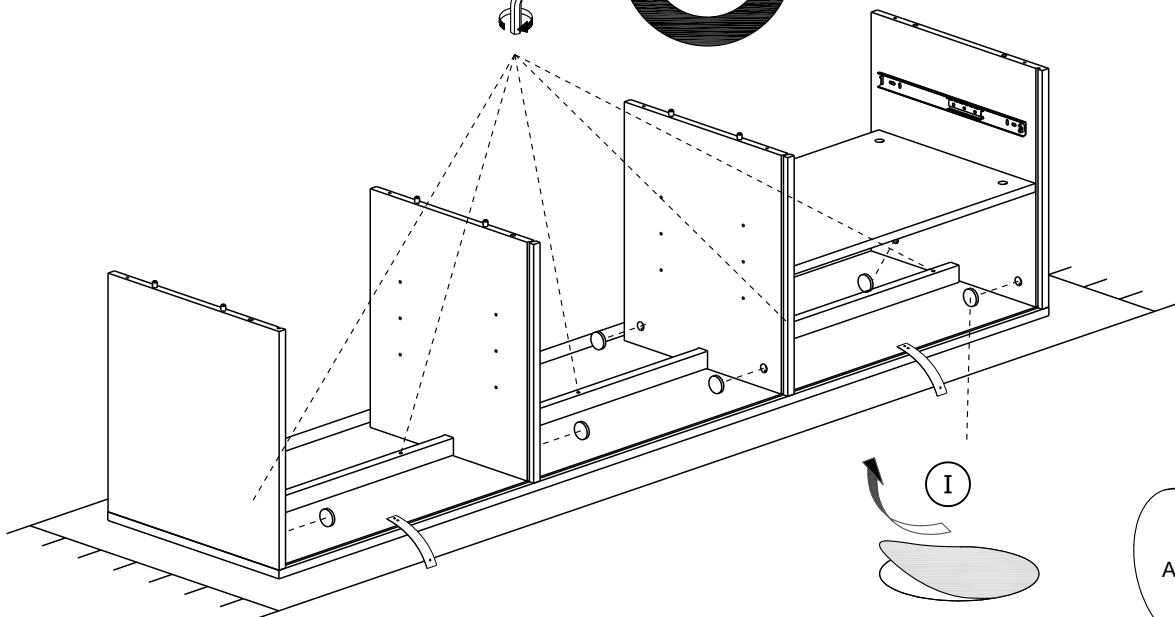
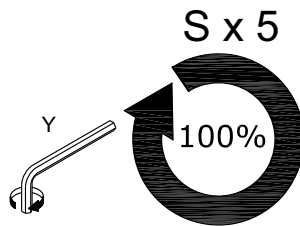
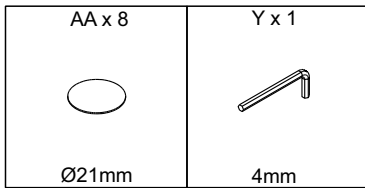
9



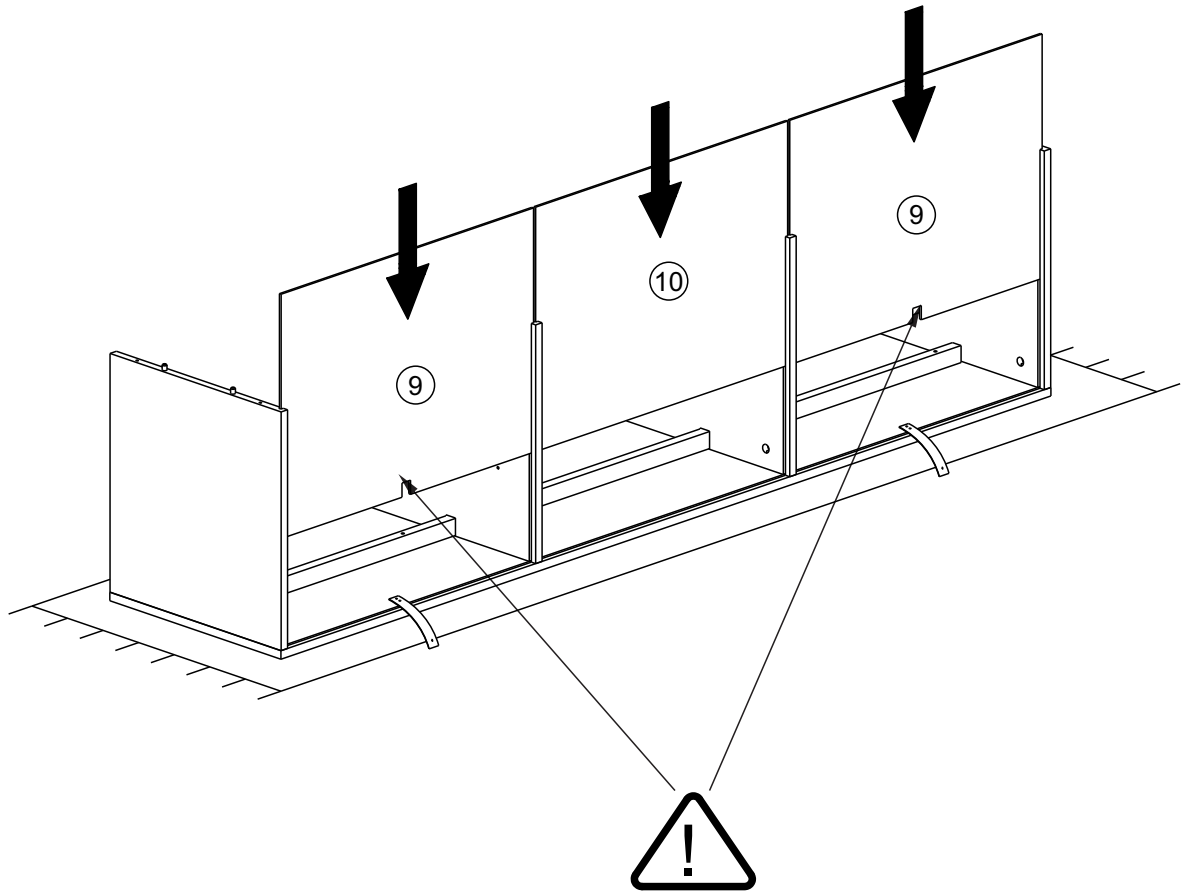
10



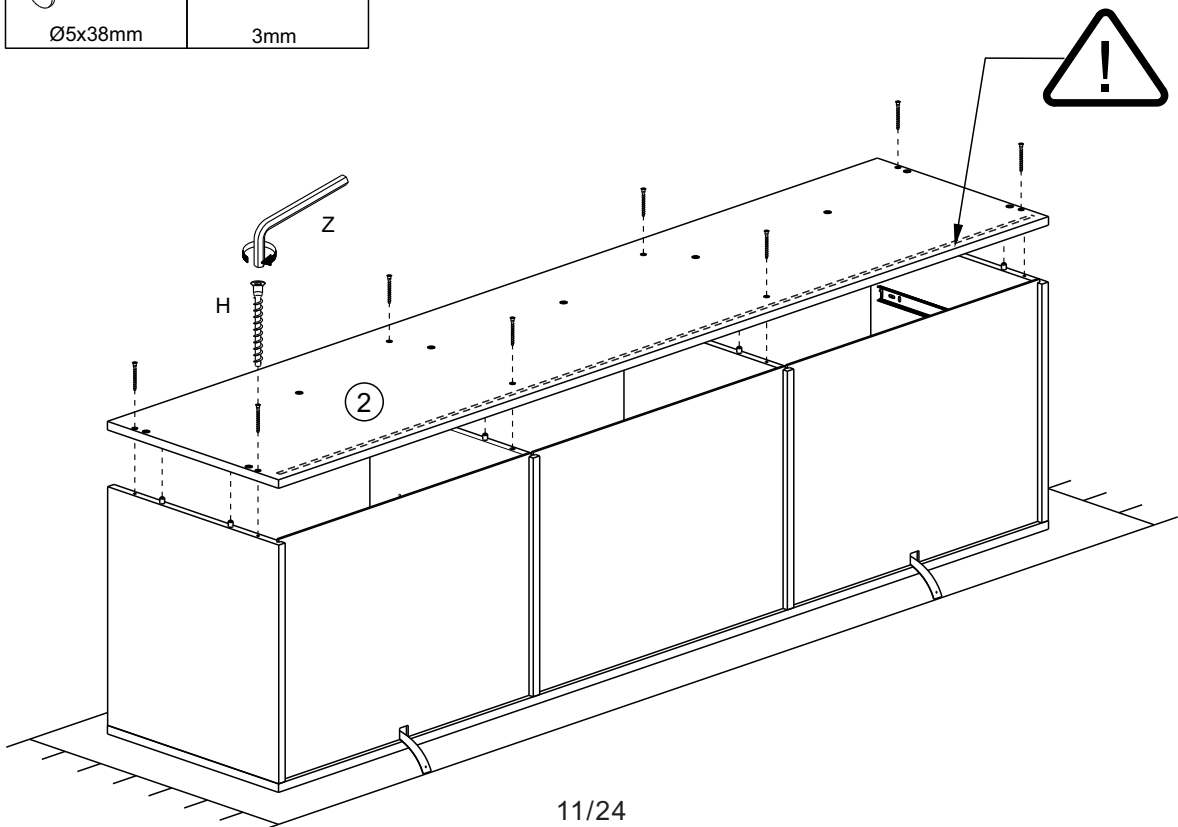
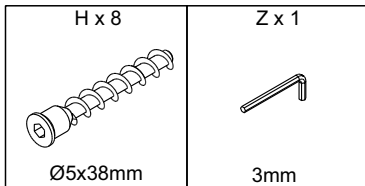
11



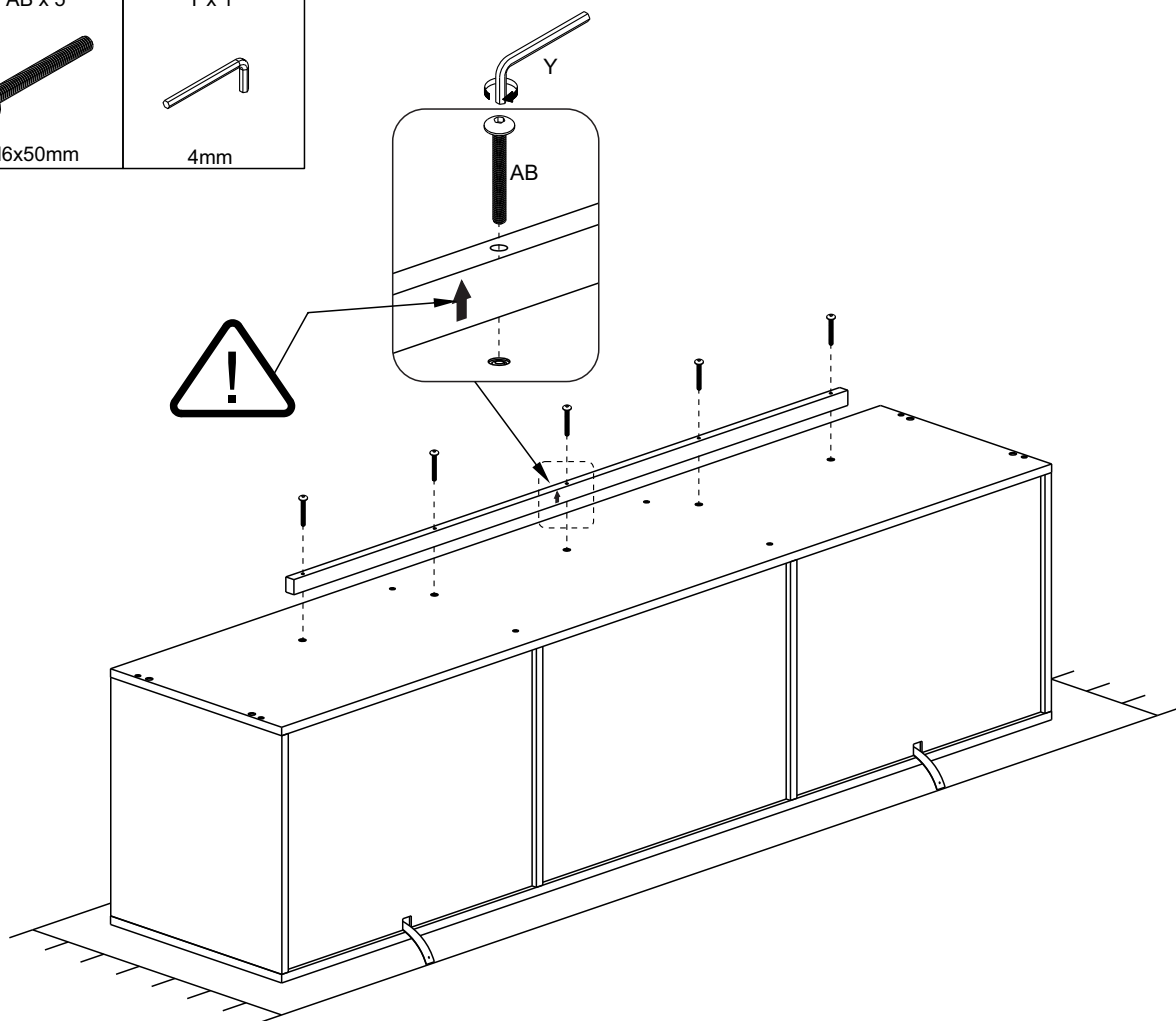
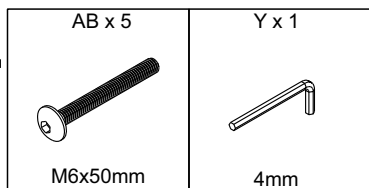
12



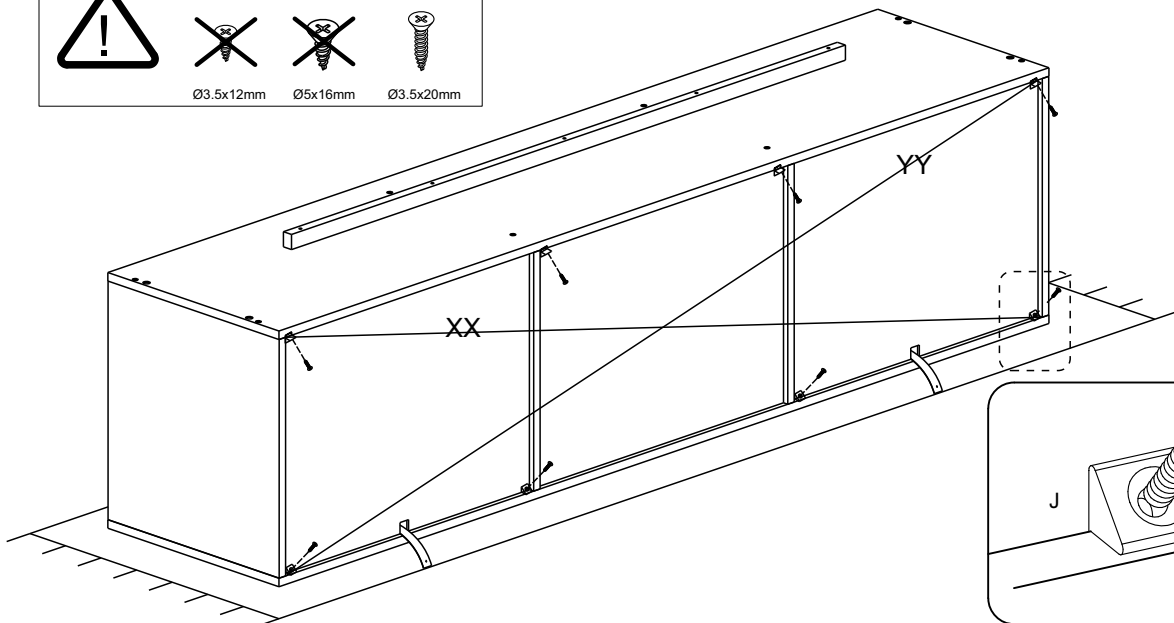
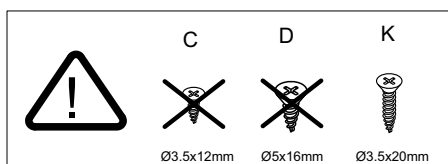
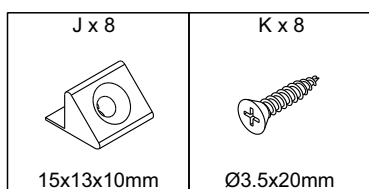
13



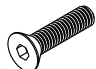

14

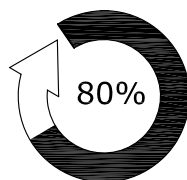
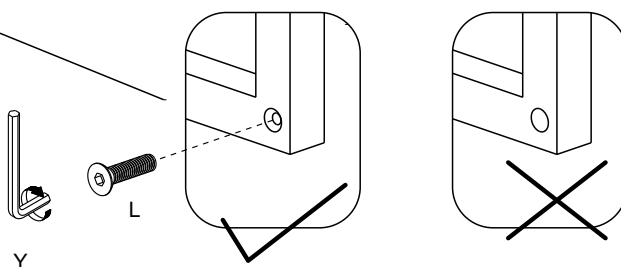
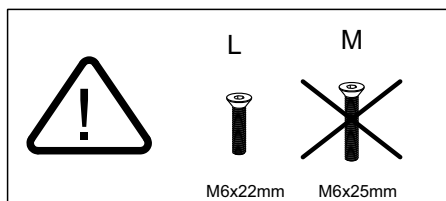
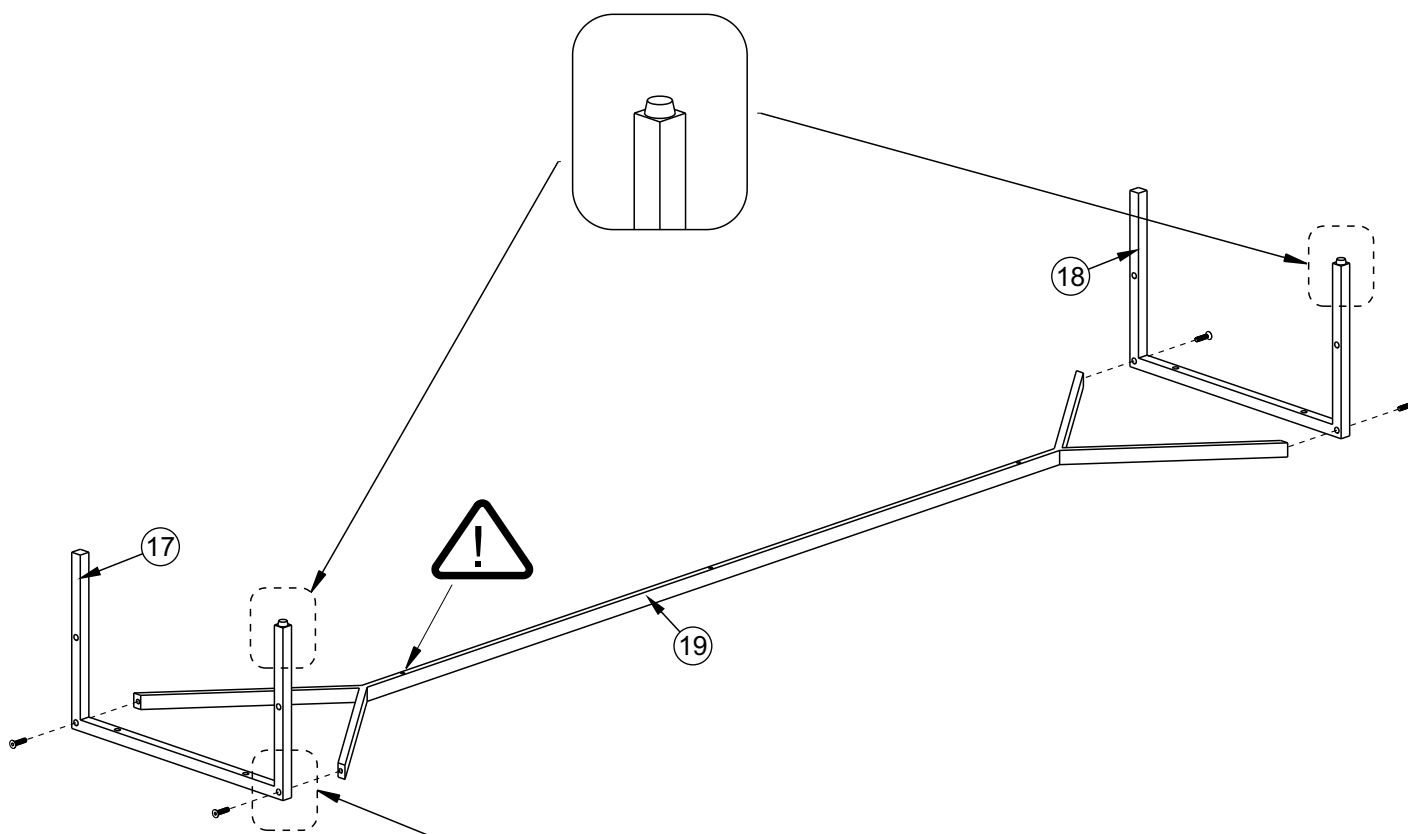


15

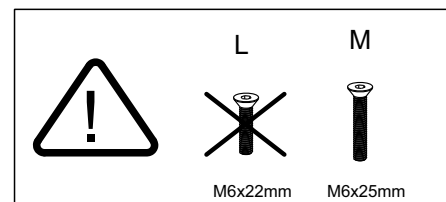
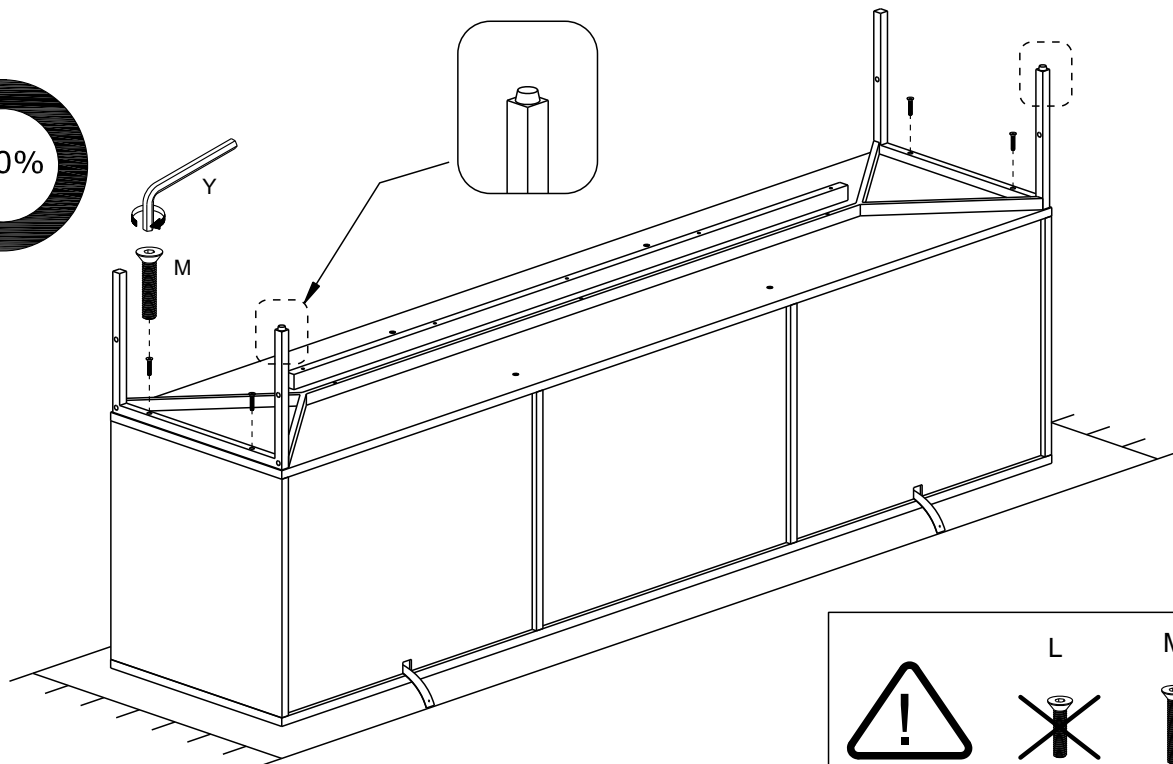
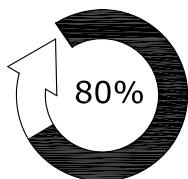
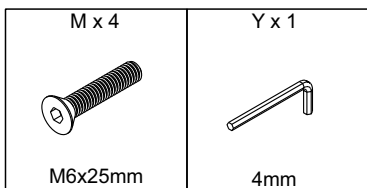


16

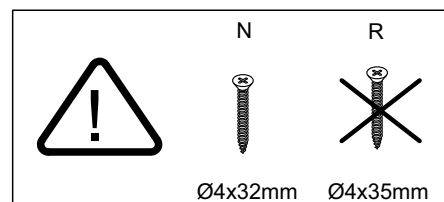
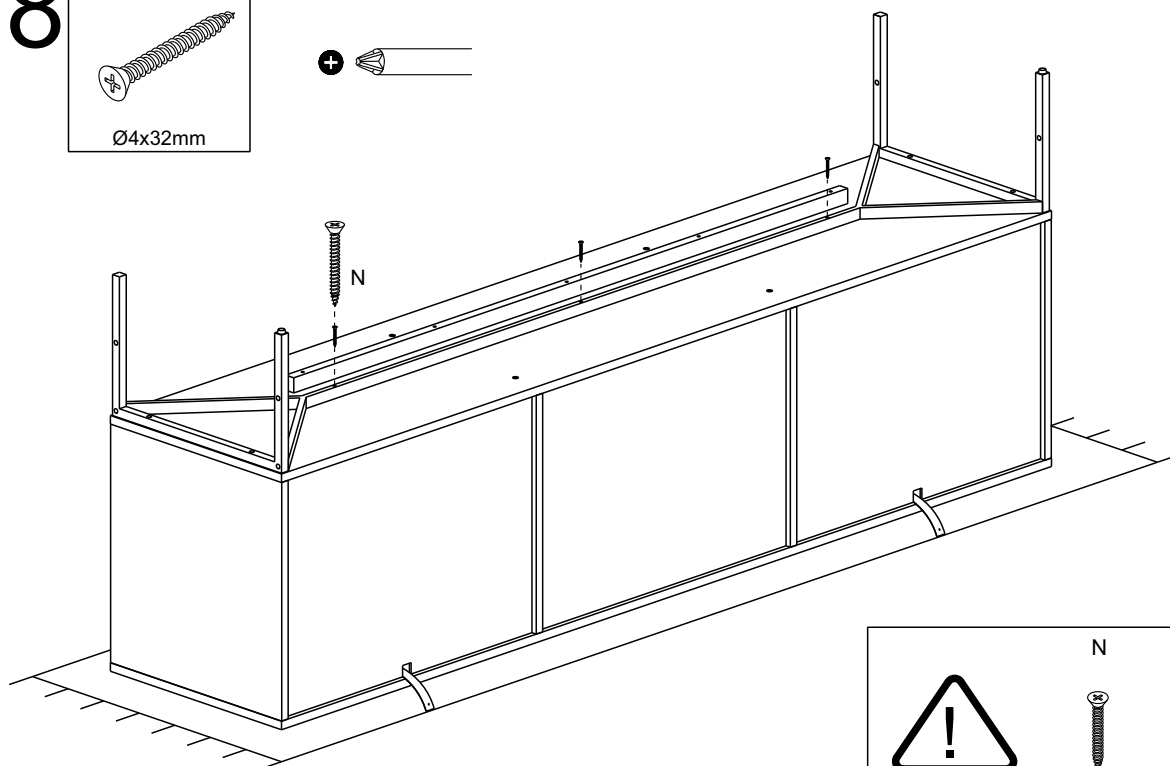
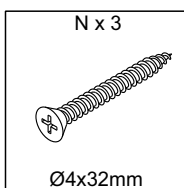
L x 4	Y x 1
	
M6x22mm	4mm



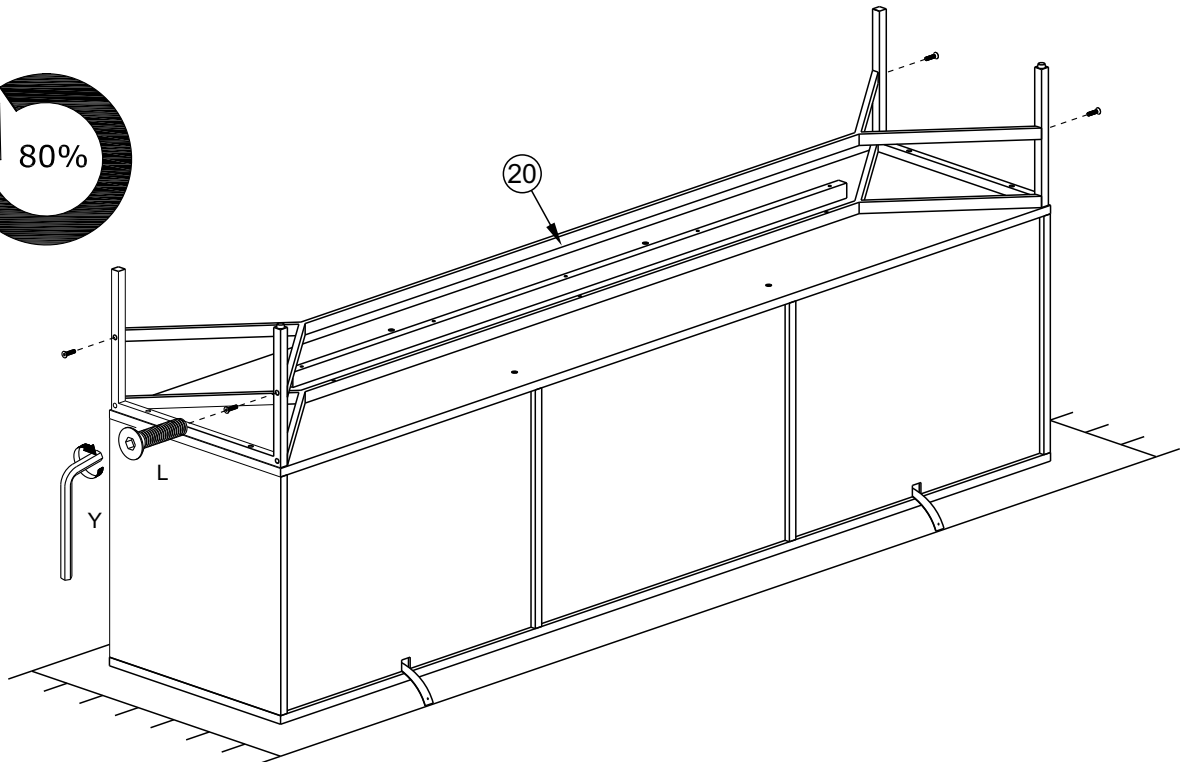
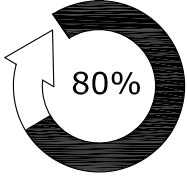
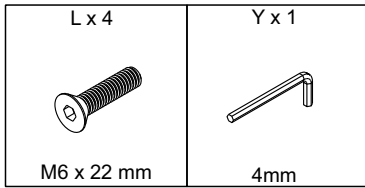
17



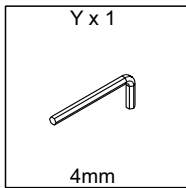
18



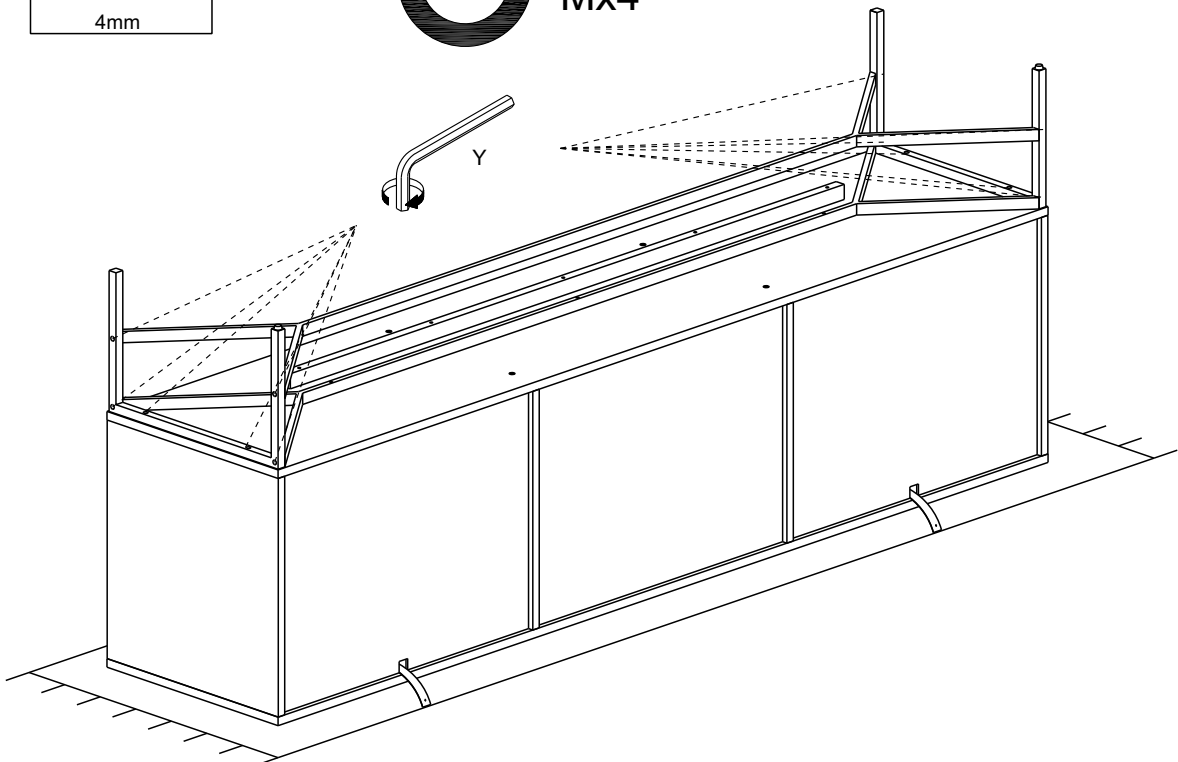
19



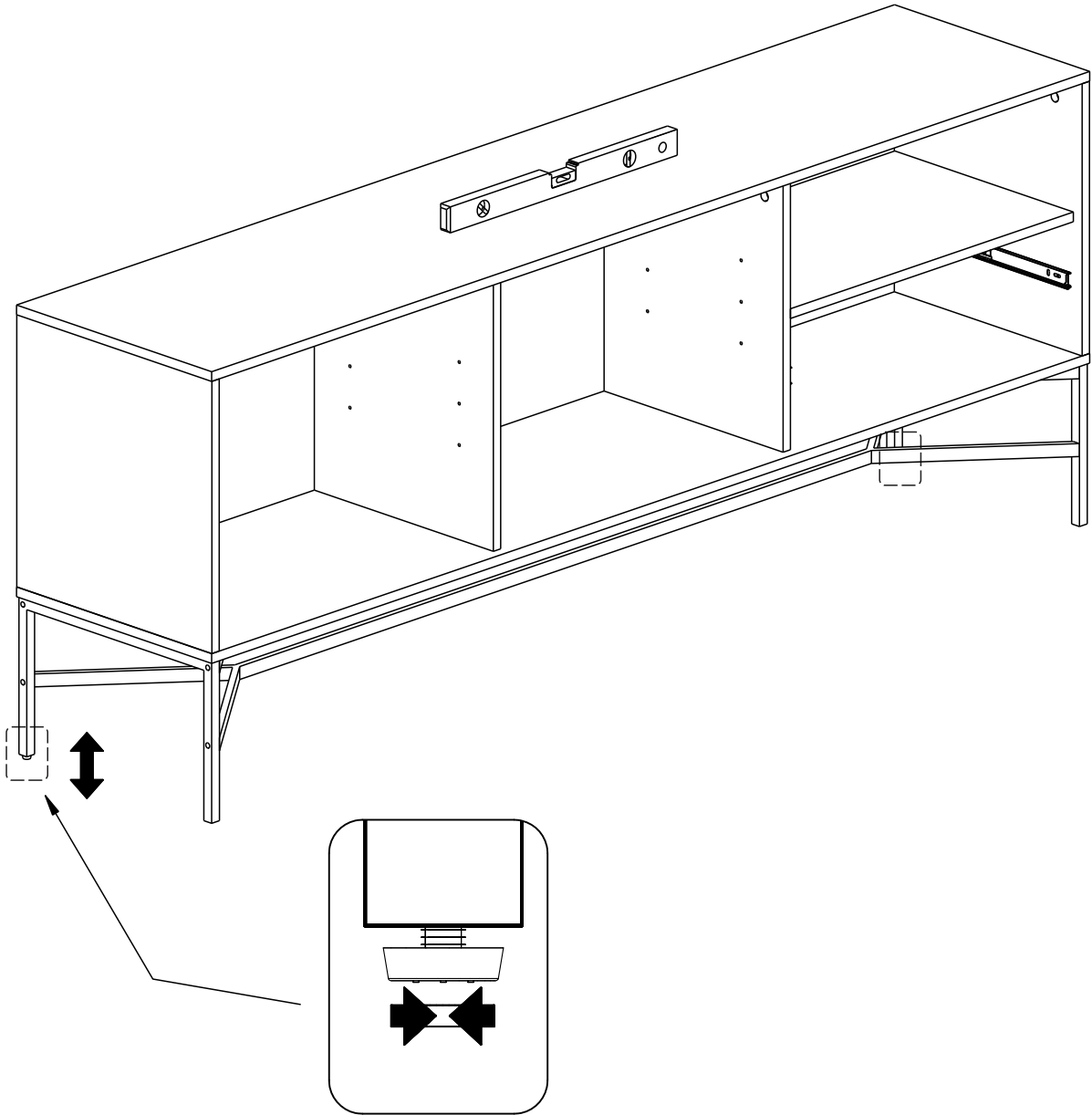
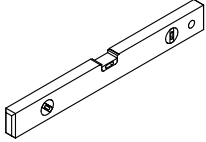
20



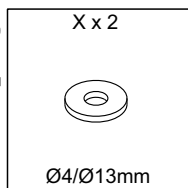
Lx8
Mx4



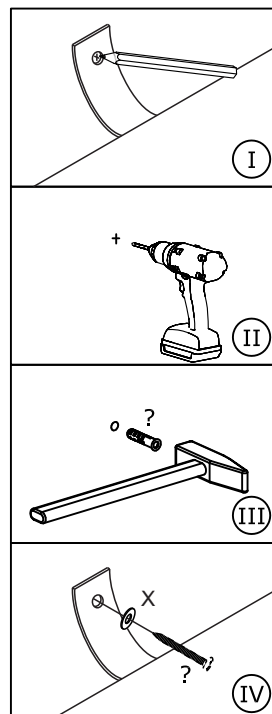
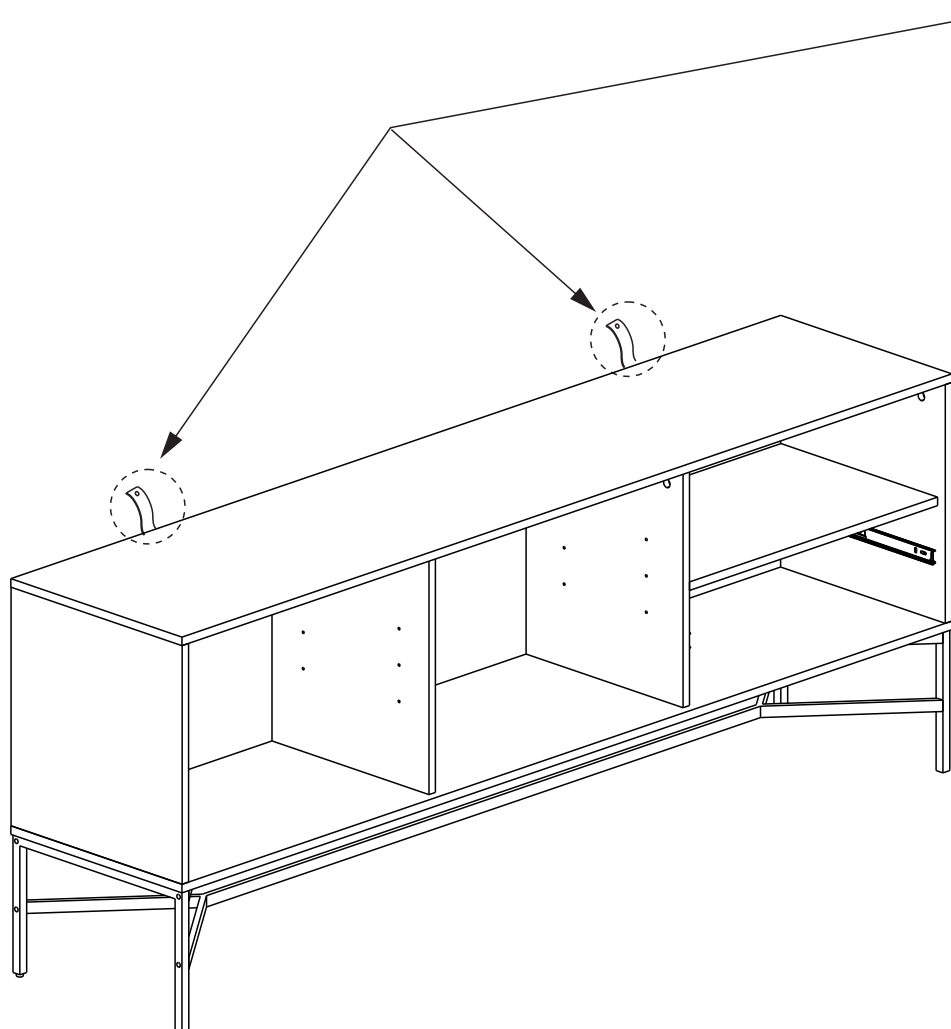
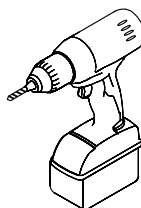
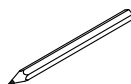
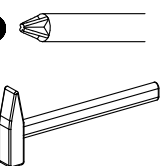
21



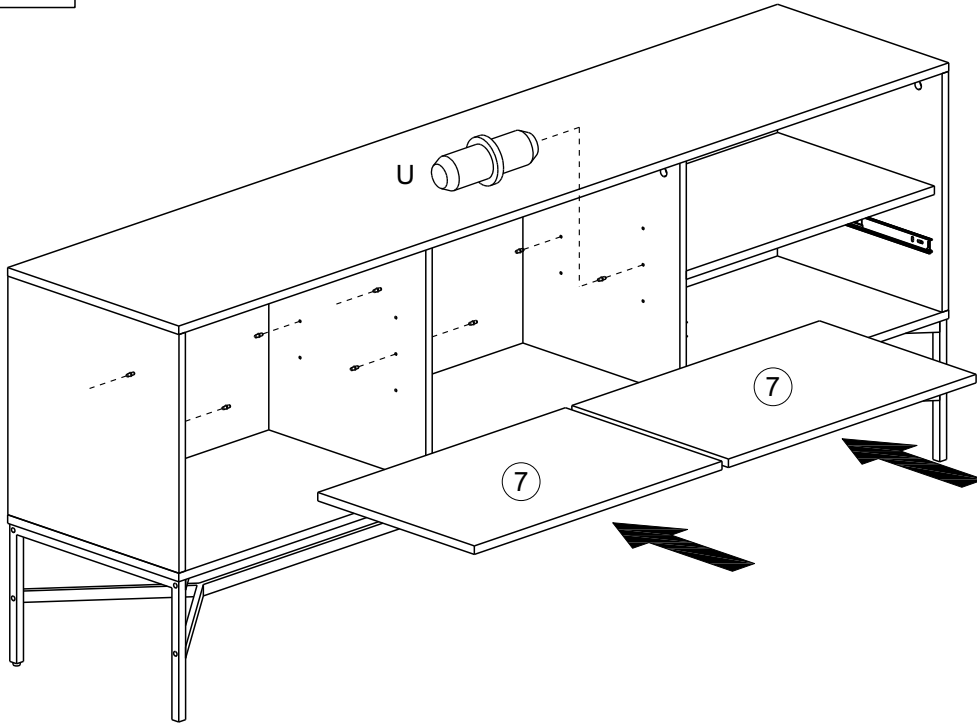
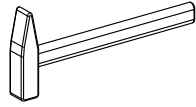
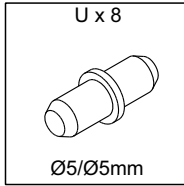
22



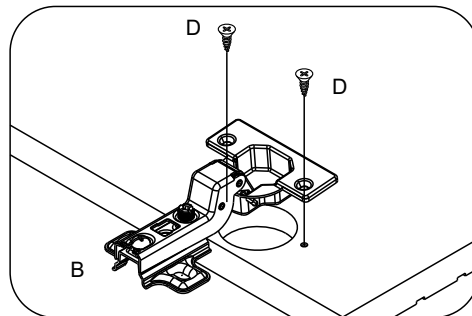
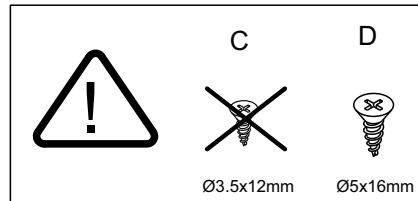
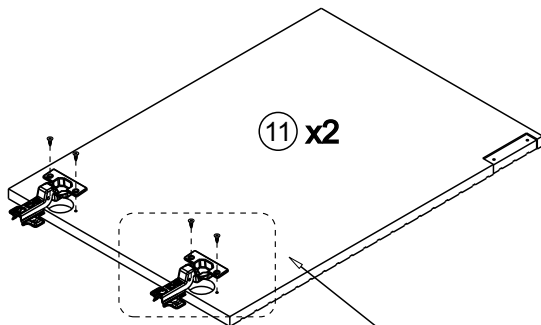
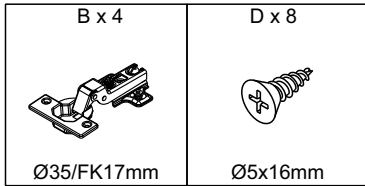
+





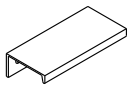
23

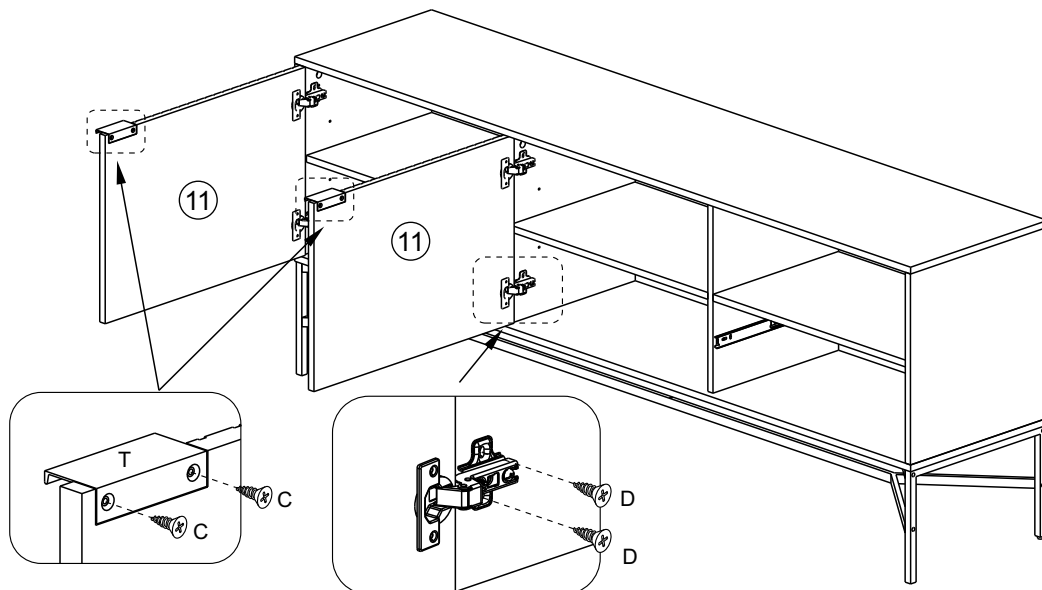
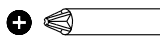


24




25

C x 4  Ø3.5x12mm	D x 8  Ø5x16mm	T x 2  80x38x19mm
---	---	--




C



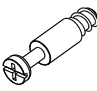
Ø3.5x12mm

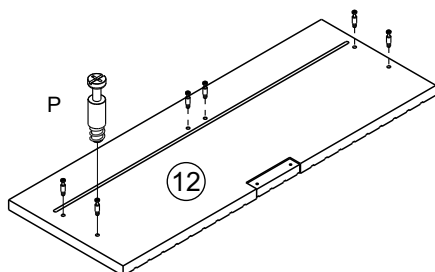
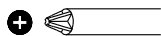
D



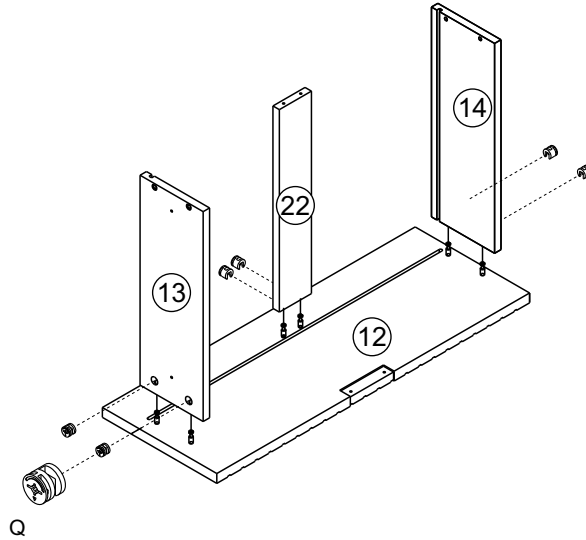
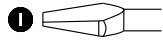
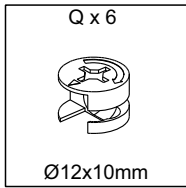
Ø5x16mm

26

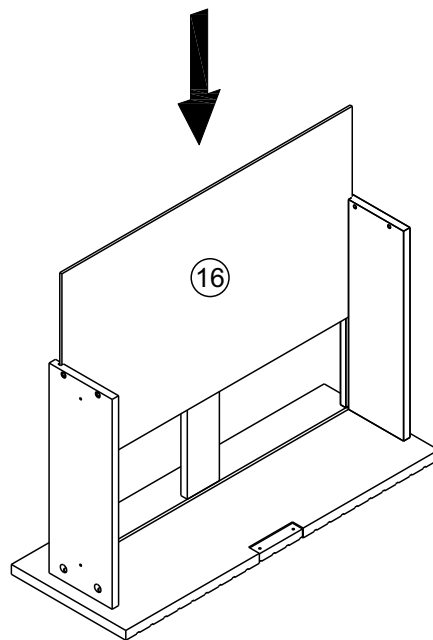
P x 6  Ø6x27mm



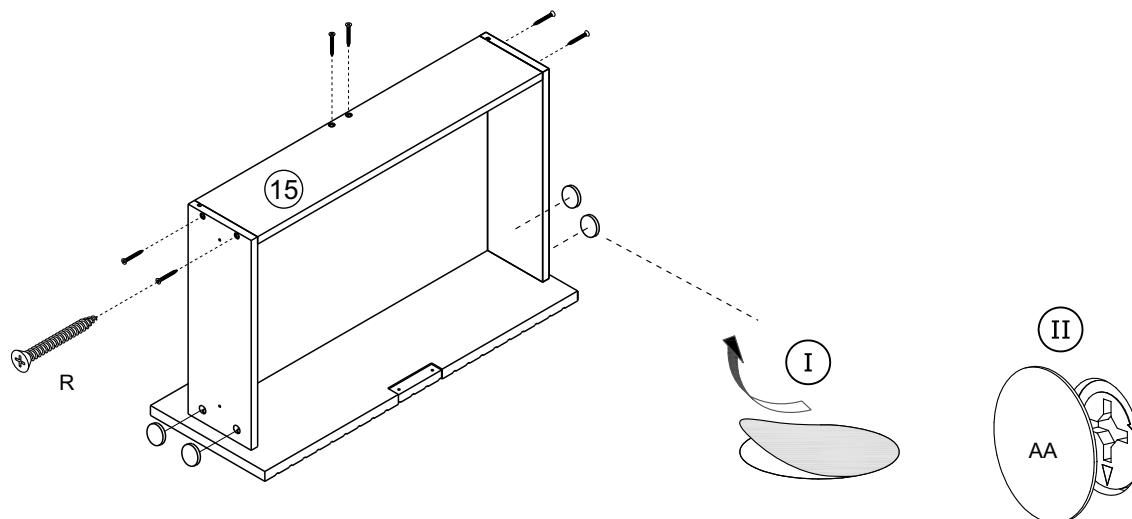
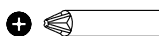
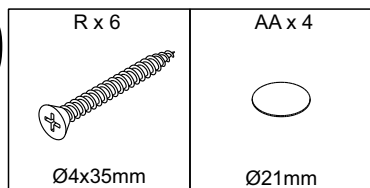
27



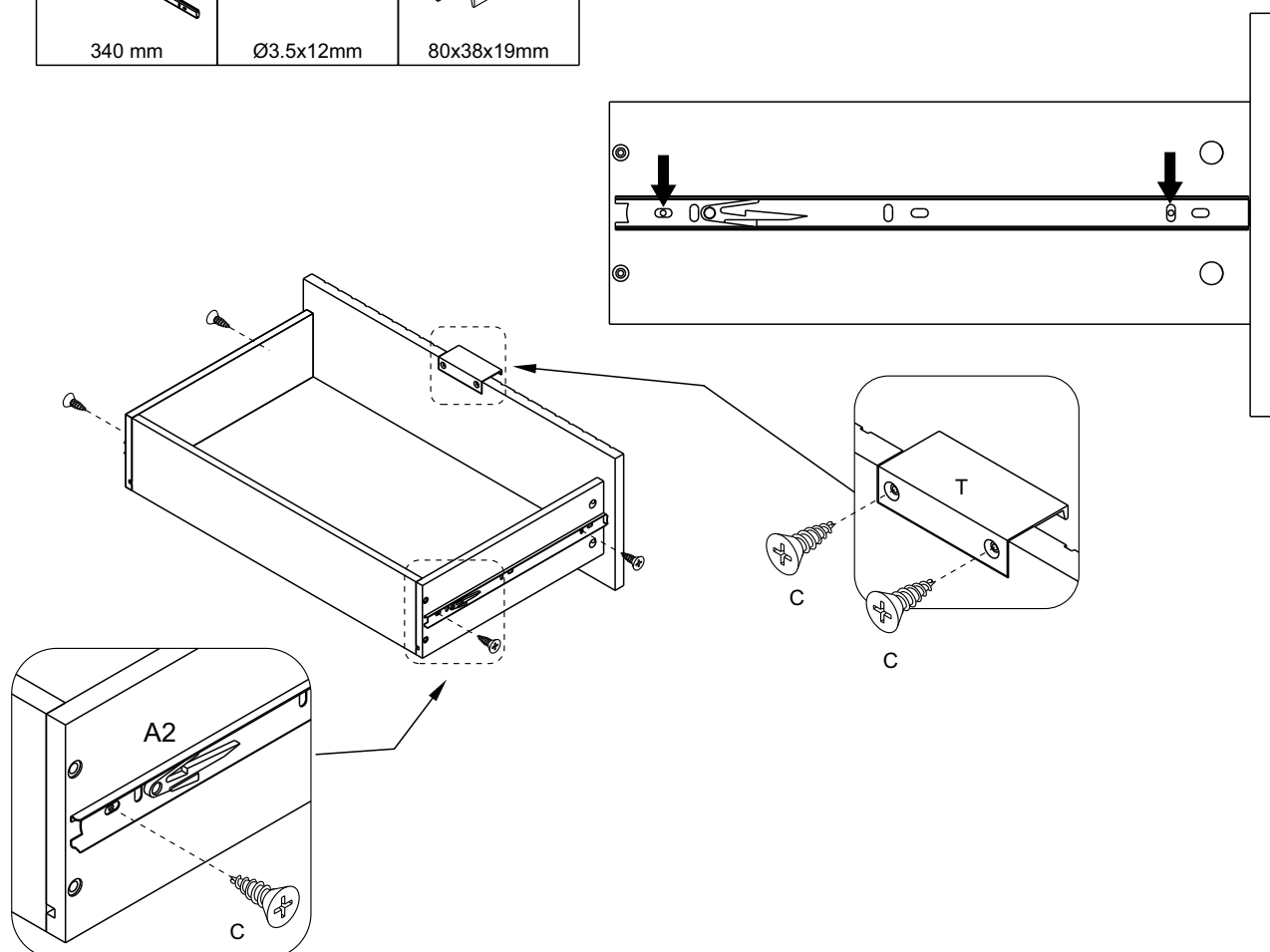
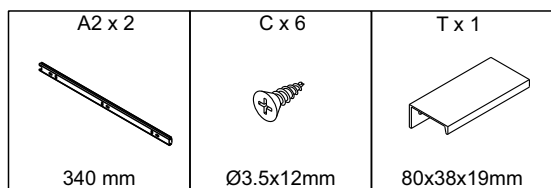
28



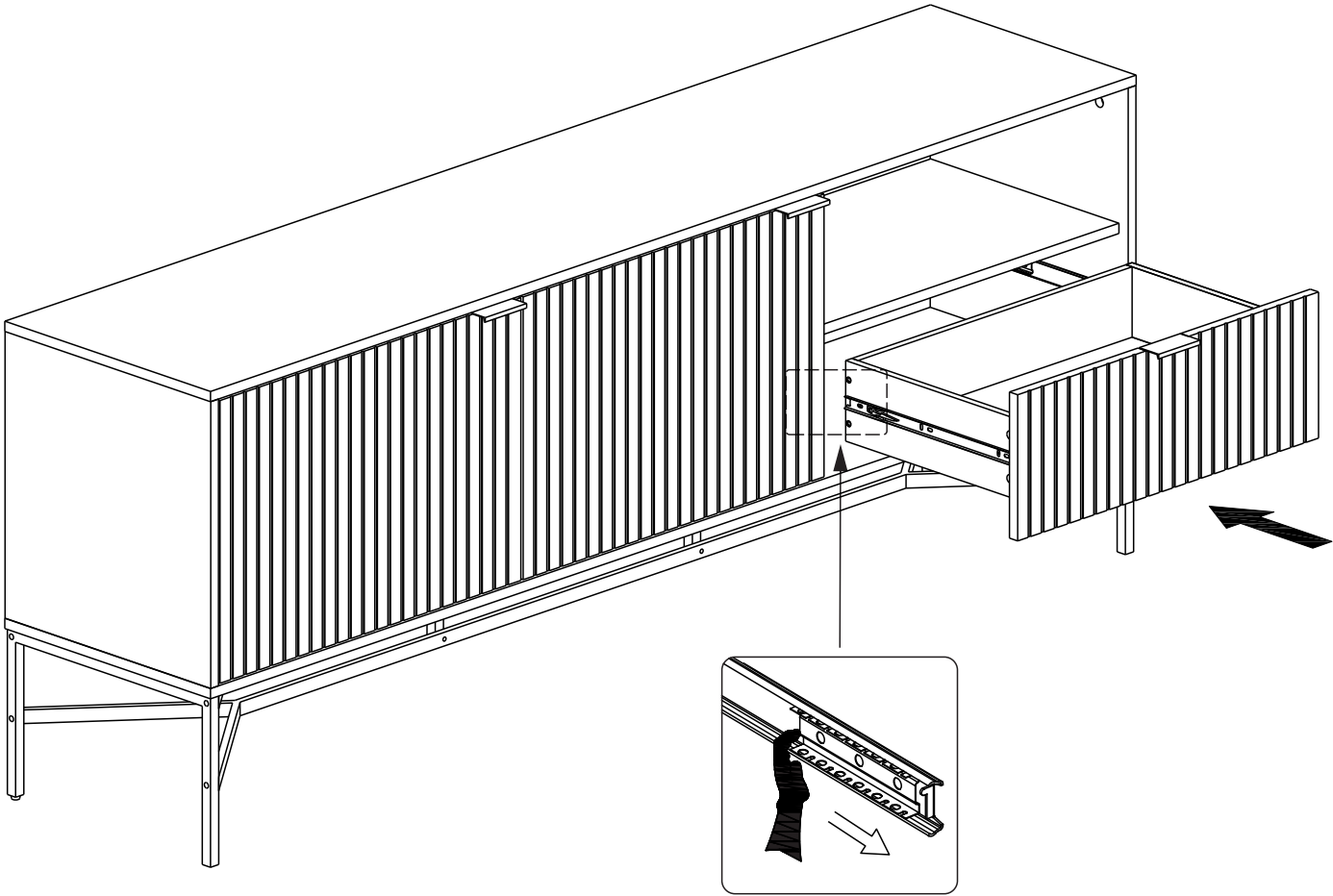
29



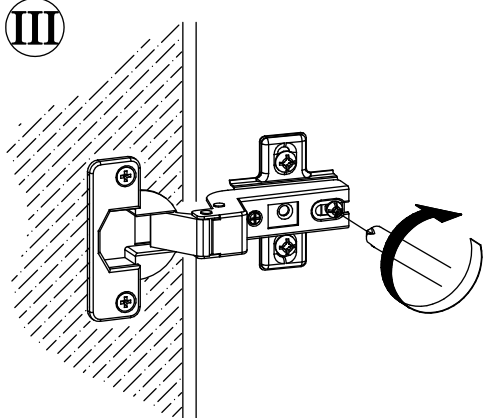
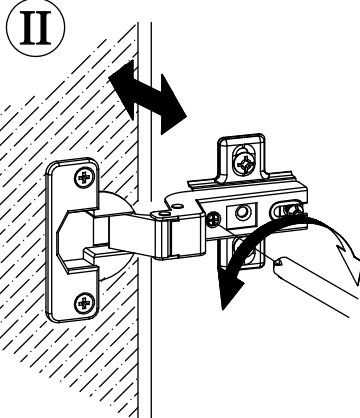
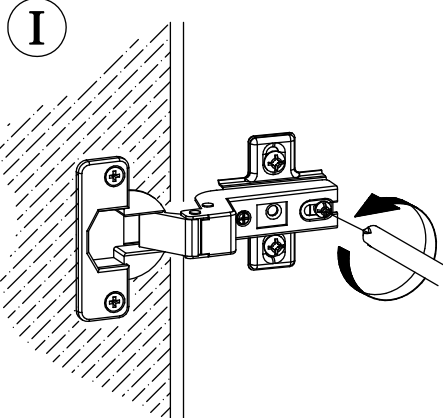
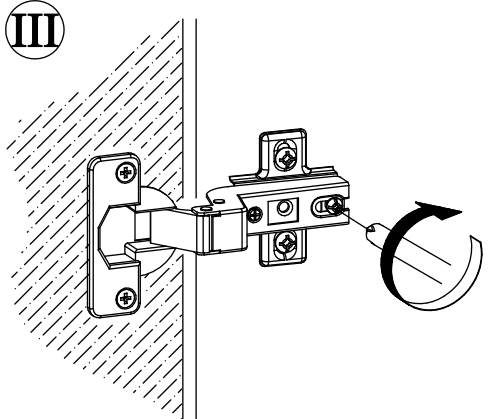
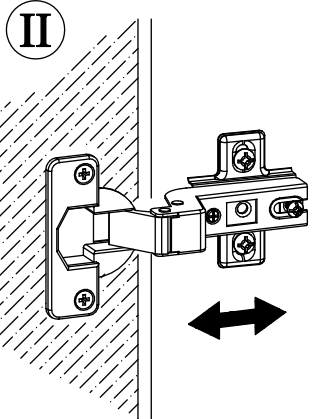
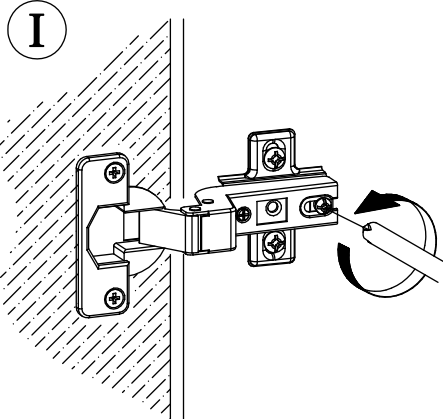
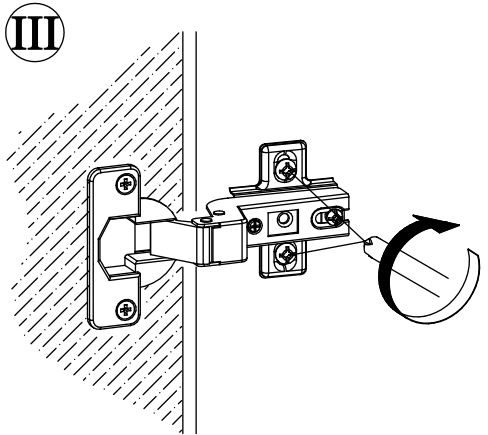
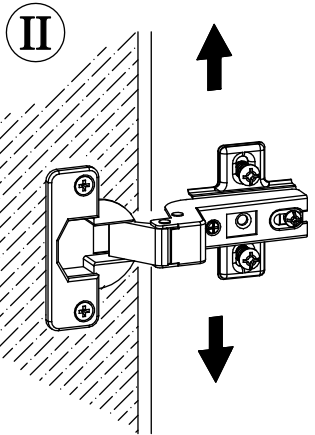
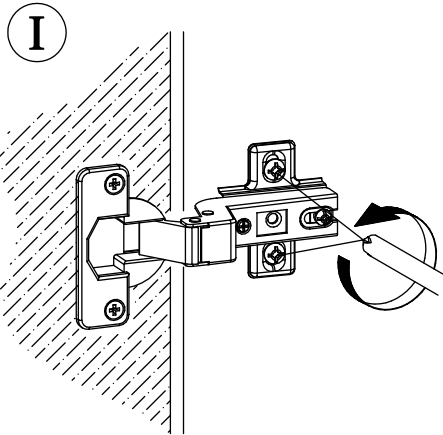
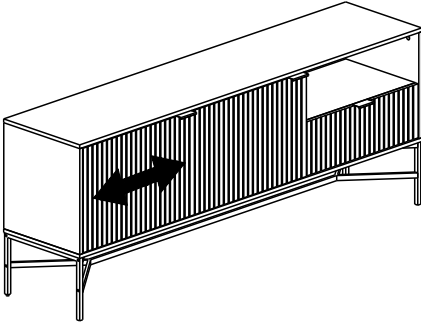
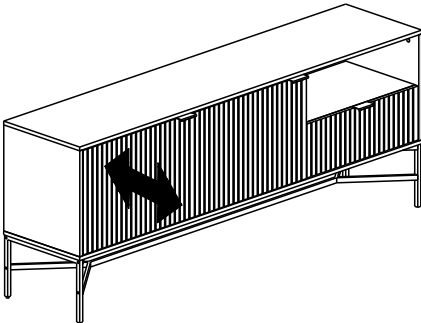
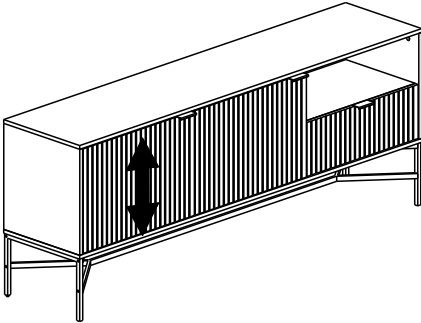
30



31



32



33

